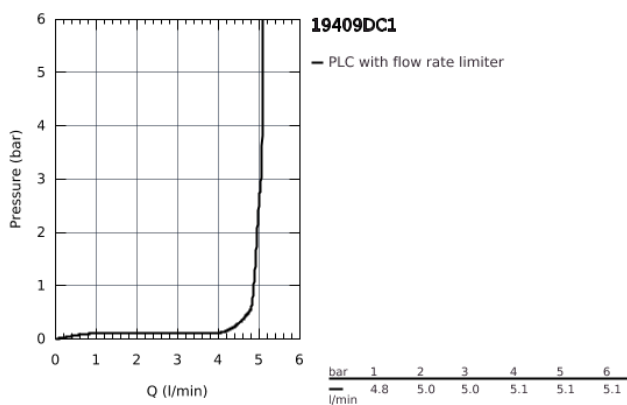
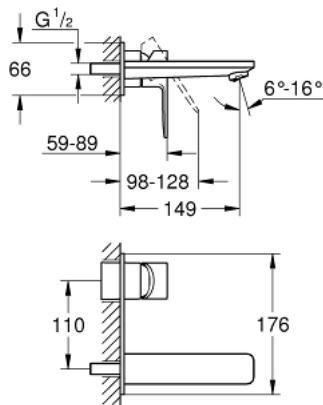


## 19 409 DC1 LINEARE 2-HOLE BASIN MIXER M-SIZE

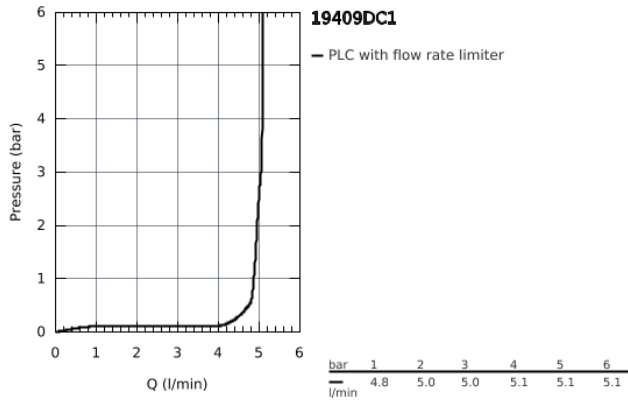


### PRODUCT DESCRIPTION

- wall mounted
- set for final installation for
- 23 571 000
- **without concealed body**
- metal escutcheon
- metal lever
- **GROHE StarLight** finish
- **GROHE EcoJoy** mousseur 5.7 l/min
- **GROHE AquaGuide** adjustable mousseur
- centre distance 110 mm
- projection 149 mm



## 19 409 DC1 LINEARE 2-HOLE BASIN MIXER M-SIZE



## 19 409 DC1 LINEARE 2-HOLE BASIN MIXER M-SIZE

**SPARE PARTS**, September 2016 – now

1: Lever (Order-nr. 46982DC0)

2: Flow straightener (Order-nr. 46837DC0)

3: Flush pipe extension (Order-nr. 46943000)\*

\* Optional accessories

