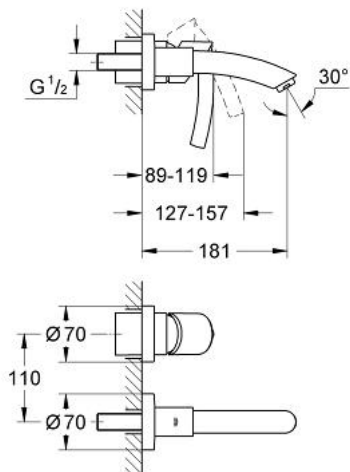


19 289 000 TENS0 2-HOLE BASIN MIXER



PRODUCT DESCRIPTION

- set for final installation for
- 33 769 000
- wall mounted
- separate escutcheons \varnothing 70 mm
- projection 180 mm
- A-mousseur
- centre distance 110 mm
- **without concealed body**
- **GROHE StarLight** chrome finish



19 289 000 TENS0 2-HOLE BASIN MIXER



SPARE PARTS, April 2005 – now

- 1: lever head (Order-nr. 46502000)
- 2: Shield for cross handle (Order-nr. 09038000)
- 3: Flow restrictor (Order-nr. 13929000)
- 4: Temperature limiter (Order-nr. 46375000)*
- 5: Extension set (Order-nr. 46191000)*

* Optional accessories