

Kitchen Sinks

Gourmet Sink 6 Square Over/Under Counter Top

RAK
CERAMICS

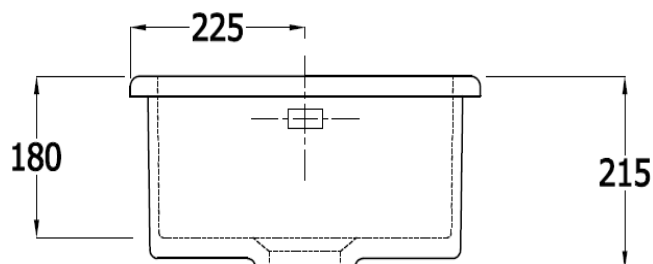
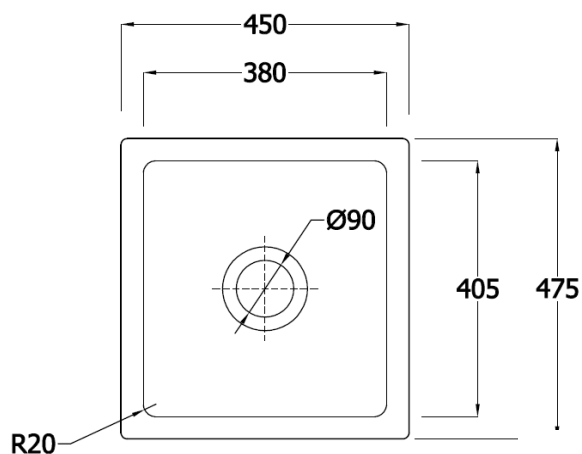


SPECIFICATION/CODE REFERENCE

Please use the reference codes shown below:

GOSINK6

SIZE	380 x 475 x 210 mm
CUT OUT SIZE	375 x 400 mm
STANDARD	EN 13310 : 2015
OPTIONS	Suitable for over or undermounting
MATERIAL	Fireclay
WEIGHT	21.30 kg
COLOURS	White
FEATURES	Square over/under counter top Gourmet sink
WASTES	Require BSSTSS, O/FKIT and O/FCOVER
TEMPERATURE	Withstand high temperatures around 1600 degrees
WARRANTY	10 Years



Dimensions: All measurements are in millimeters and are subject to normal manufacturing variations.

Note: Due to a continuing development programme to improve design and performance, the manufacturer reserves all rights to vary specifications without prior informations. Please note accessories are for photographic use only.

Tel: 01730 237850 Fax: 01730 263210. RAK Ceramics, Bradford House, Frenchmans Road,
Petersfield, Hampshire GU32 3AW

Contact us at: info.uk@rakceramics.com / Visit us at: www.rakceramics.com 2017