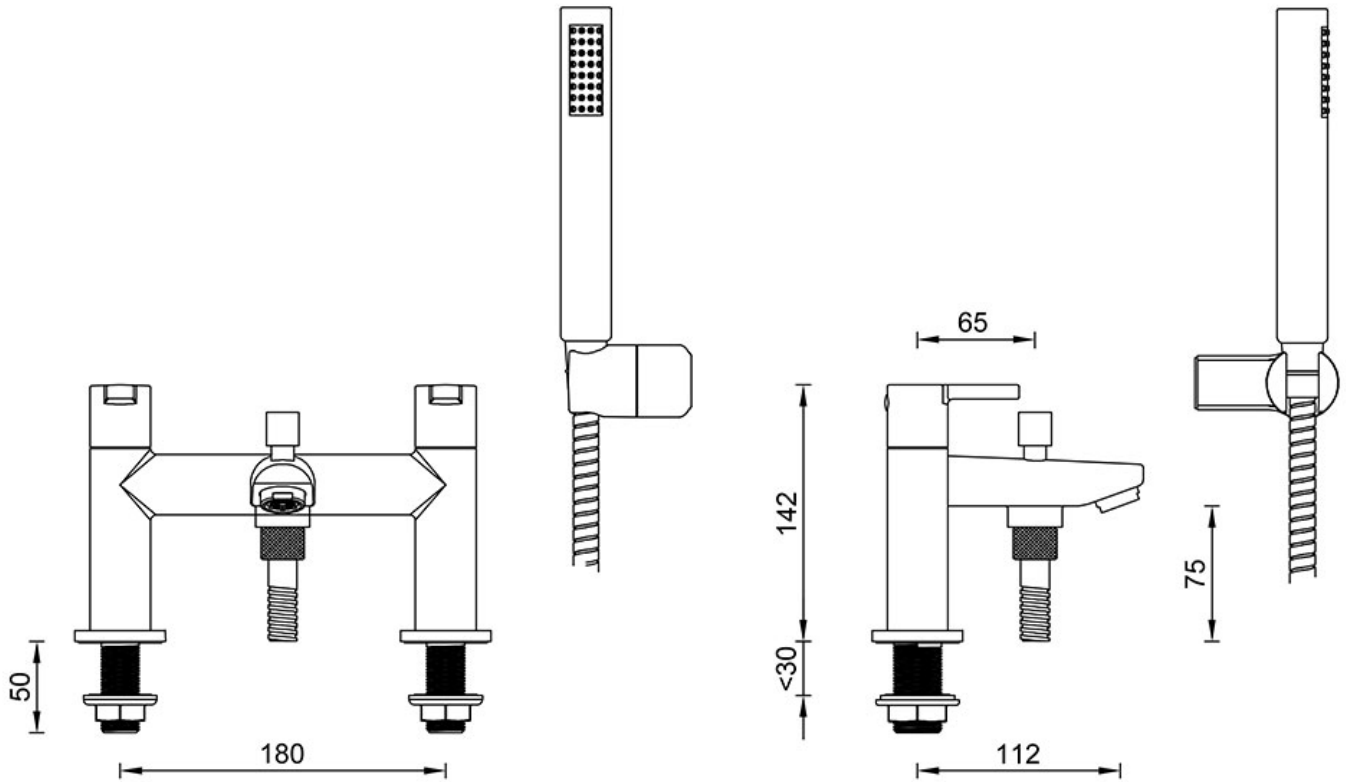


# Technical Data Sheet

Dawn 2TH Bath Shower Mixer

ET113

**essential**  
BATHROOMS



Hose: 1500mm