

Usage and Maintenance Manual

Installation Instruction Usage and Maintenance Manual

Product Information

- A. This product is manufactured by high quality brass and electro plated to a high standard to offer years of trouble free usage.
- B. Operating temperature: 5 - 85 °C
- C. Operating water pressure: 0.2 - 5 bar (0.02 - 0.5 MPa)

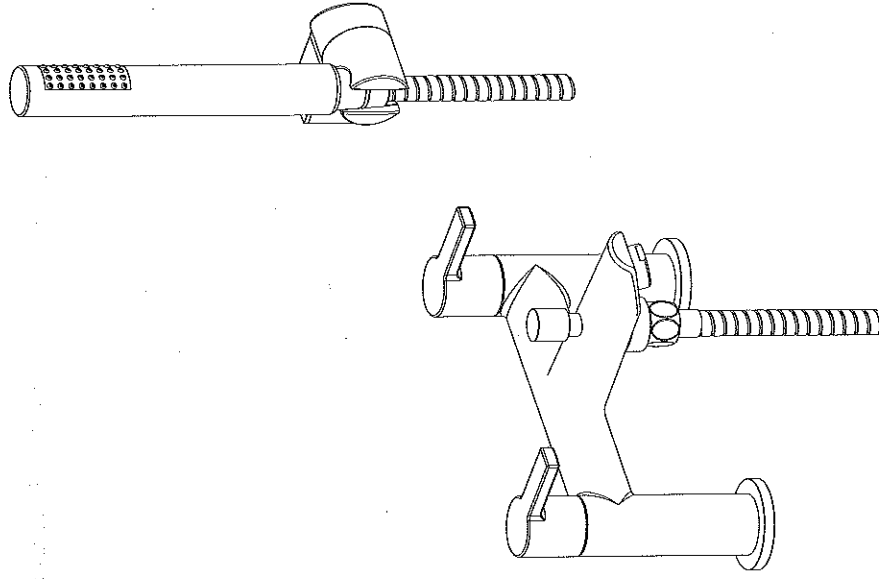
Operation of product

- A. Right handle for cold water outlet, and left handle for hot water outlet.
Rotate right handle anticlockwise to open and clockwise to stop;
Rotate left handle clockwise to open and anticlockwise to stop.
- B. Water flow rate and water temperature can be controlled by turning handles.
- C. Pull up diverter to operate shower and it can be locked by turning an angle.

Product Care

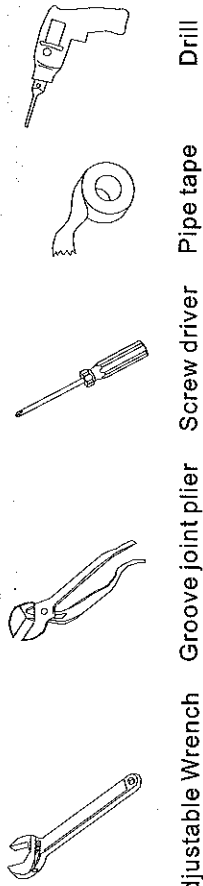
We recommend keeping your product in optimal condition. Please clean it regularly using warm soapy water and then dry with a soft cloth to return it to its original luster.

Do not clean with harsh or abrasive cleaning materials, as this could damage the product.



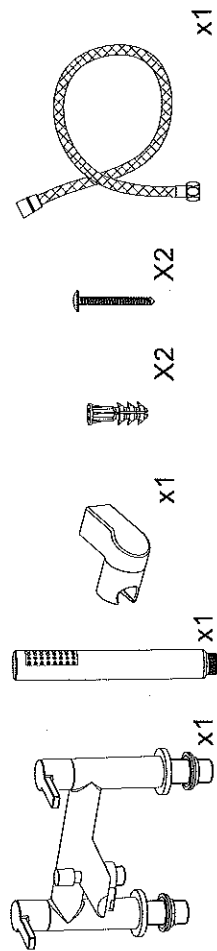
Please read this instruction carefully to avoid any difficulty during installing

Tools required



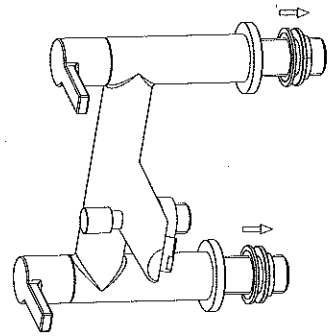
Adjustable Wrench Groove joint plier Screw driver Pipe tape Drill

Parts supplied



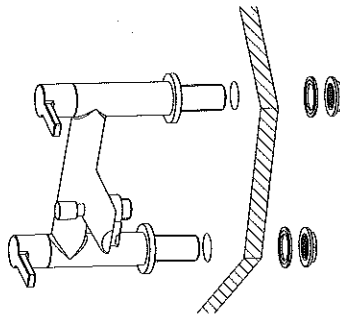
Installation illustration

Step 1#



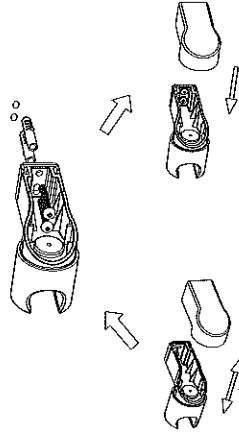
Unscrew the nuts and washers from mixer tails

Step 2#



Position the mixer on the bath with the base rings seat at its base and tails through the hole.
Slide the washers over the tails and secure screwing the nut finger tight.

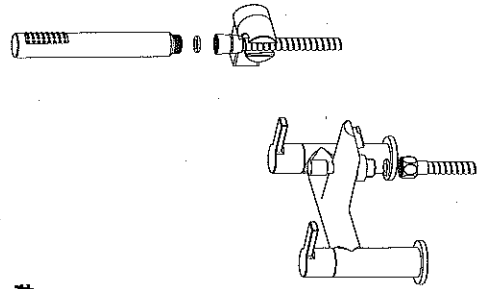
Step 3#



Separate the shell and body of shower holder. Once most practical position of the shower holder is agreed, drill holes on the wall and insert wall plugs provided into holes. Fix the body of shower holder on the wall by the screws provided.
Push the shell over the body of shower holder.

WARNING: Prior to installation ensure the area behind the fixing location is clear from any plumbing or electrical components.

Step 4#



Connect one end of the shower hose to the mixer and the other end to the shower. Ensure a washer is into each end for seal.