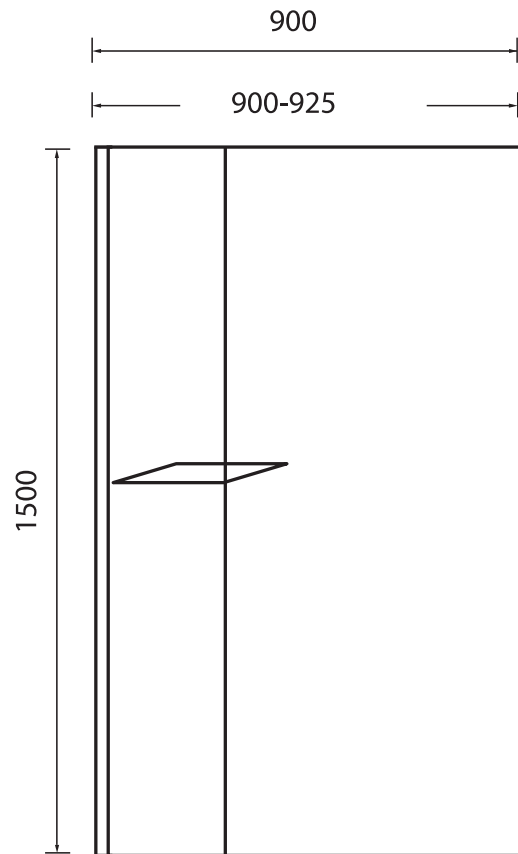


Technical Data Sheet

Spring Square Bath Screen with Fixed Panel
ED057

essential
BATHROOMS



TECHNICAL SPECIFICATION

Product Codes	Description	Glass (mm)	Height (mm)	Size (mm)	Adjustment Min / Max (mm)
ED057	Spring Square Bath Screen with Fixed Panel	6mm	1500mm	900mm	900-925mm

FEATURES:

Easy Clean features include: • Repels bacteria and lime scale build-up inside rough surface grooves • Prevents long term water damage • Significantly reduces cleaning times • Protects the environment by the use of less chemical based cleaning products • Helps to retain an immaculate finish for longer

**easy
clean**
PROTECTION