

ASSEMBLY GUIDE

DOUBLE DOOR QUADRANT

Tools Required (not supplied)



Drill



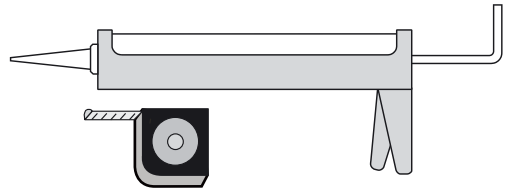
6mm Masonry Drill



Pencil



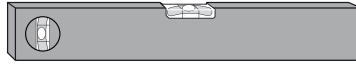
PH2 Screwdriver



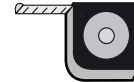
Sealant Gun



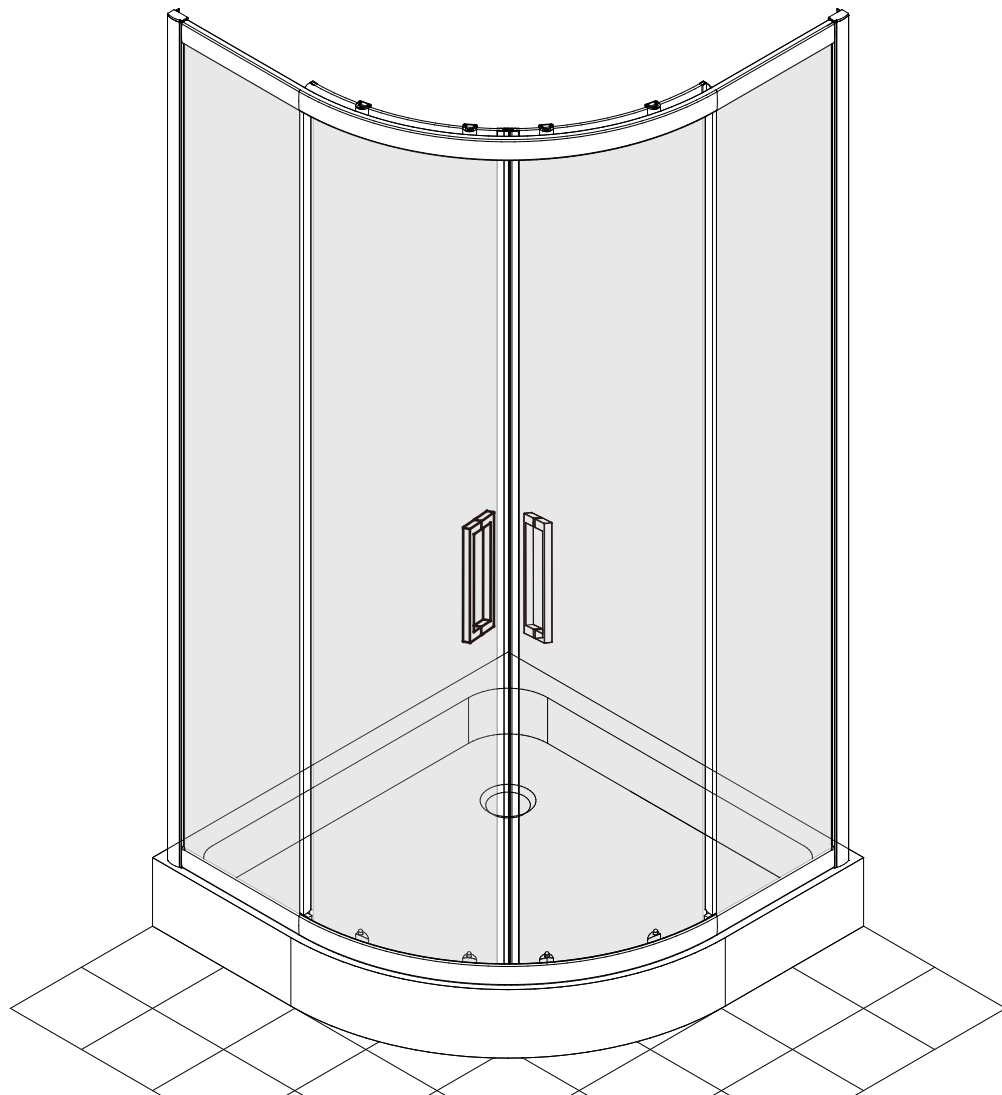
3mm Drill bit



Spirit level



Tape Measure



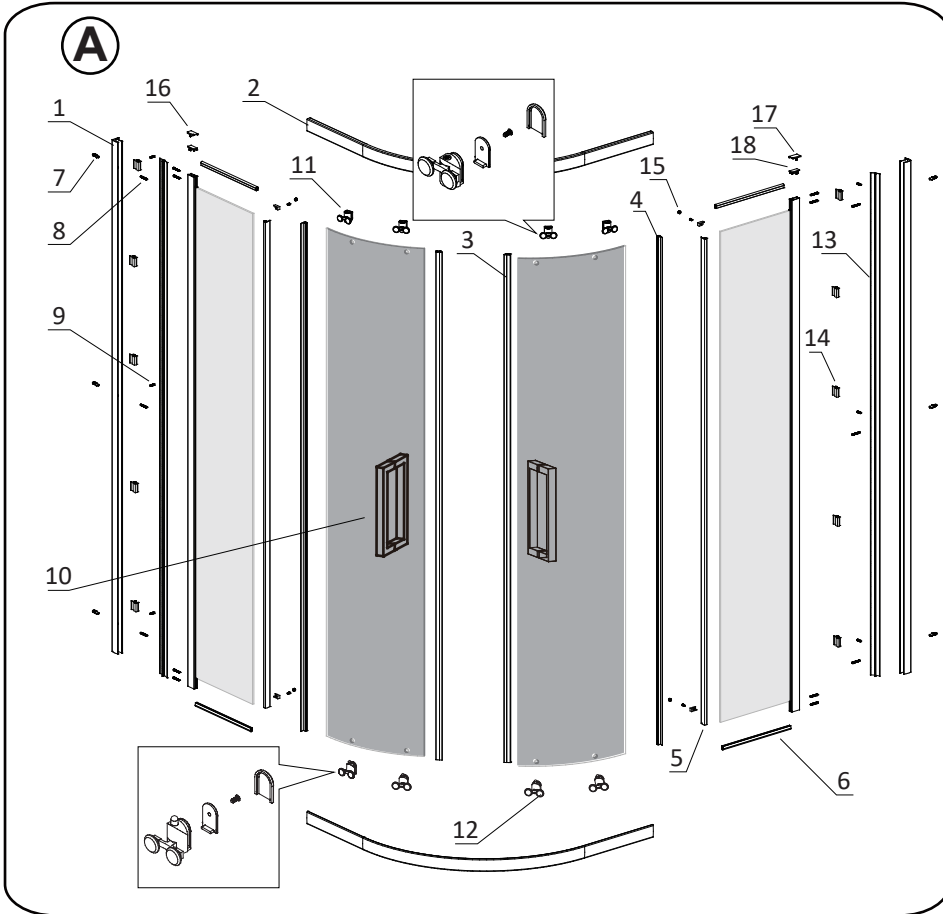
ASSEMBLY INSTRUCTIONS IMPORTANT PLEASE READ

The cubicle can be constructed either way up, for left or right hand opening.

These instructions and list of parts assume that installation is done against solid/tiled walls.

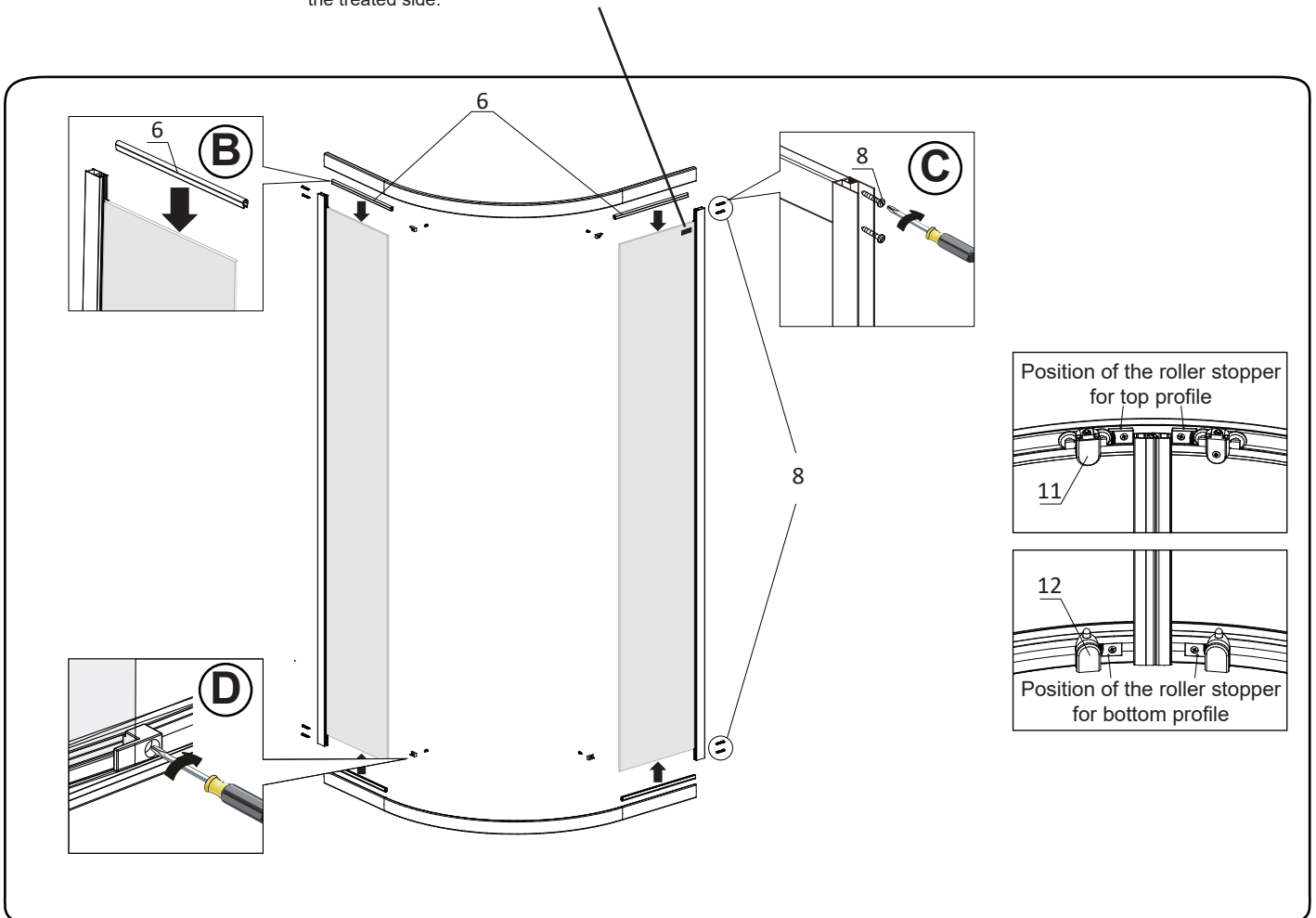
Please check this product for damage prior to starting the installation. No claims can be made after the product has been fitted.

PLEASE NOTE :The minimum and maximum adjustment sizes noted on the product brochures are based on perfectly plumb walls and trays.



Item	Description	Image	Qty
1	Wall Channel		2
2	Top and Bottom Profile		2
3	Magnetic strip		2
4	Vertical seal - 1880mm		2
5	Vertical seal - 1810mm		2
6	Gasket		4
7	Wall Plug		6
8	Screw ST3.5x30		14
9	Screw ST4x12		6
10	Handle		2
11	Top Roller		4
12	Bottom Roller		4
13	Cover Strip		2
14	Cover Clip		10
15	Screw Cap		4
16	Standard Wall Profile Cap - LH		1
17	Standard Wall Profile Cap - RH		1
18	Upright Profile Cap		2

Note: If the glass has a glass treatment, ensure that the treated side is on the inside of the enclosure. The treated side of the glass will have a label attached to the treated side.

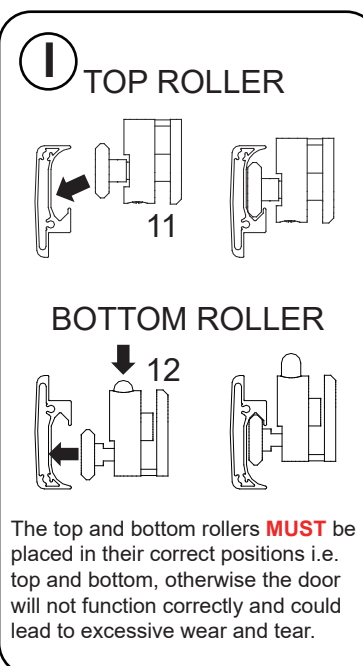
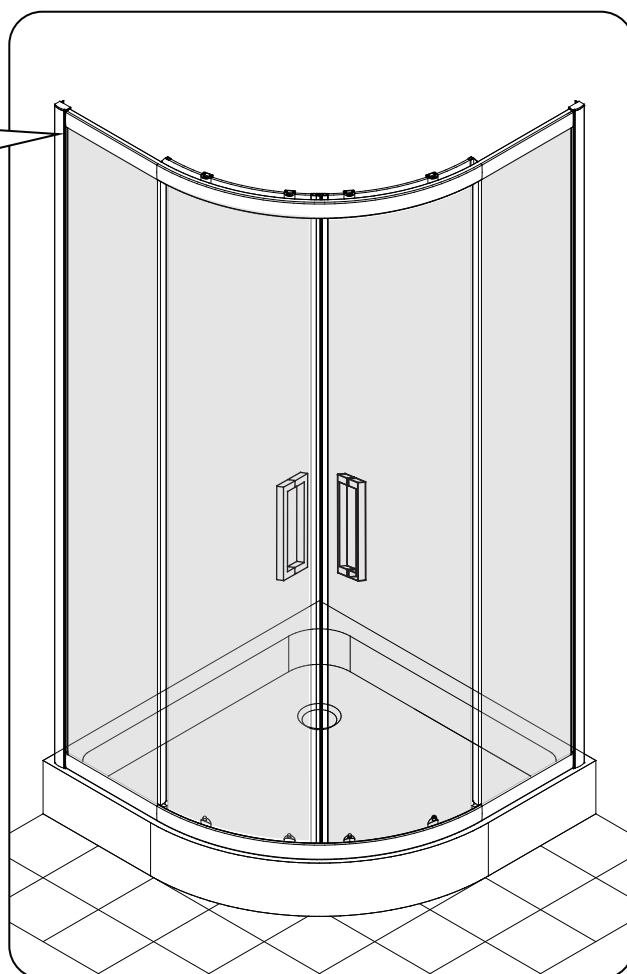
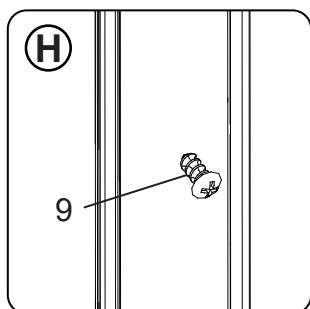
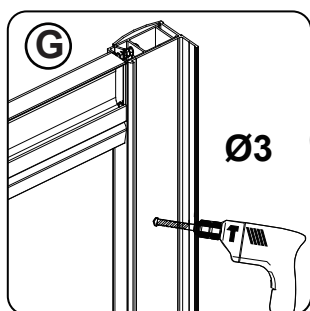
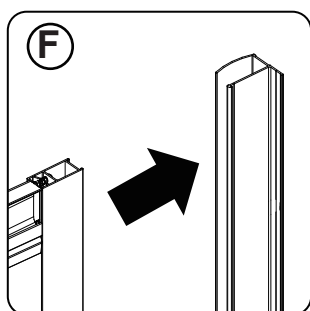
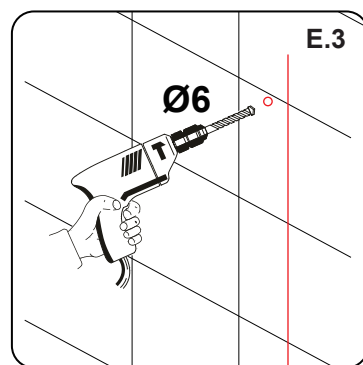
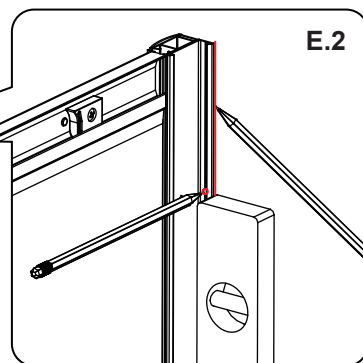
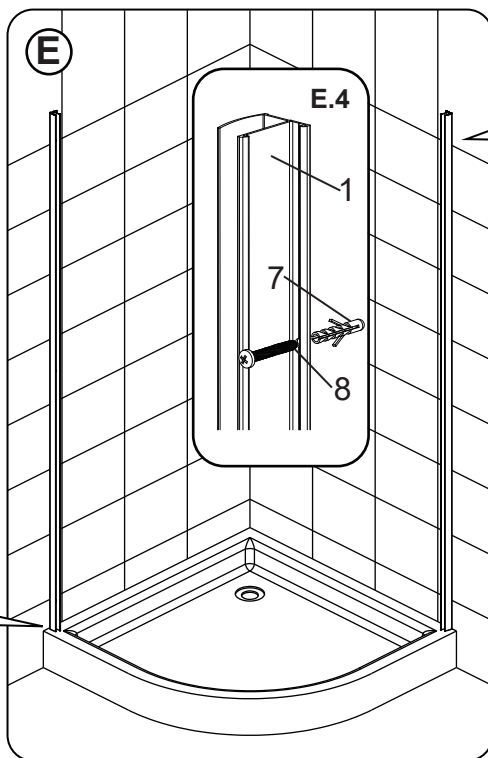
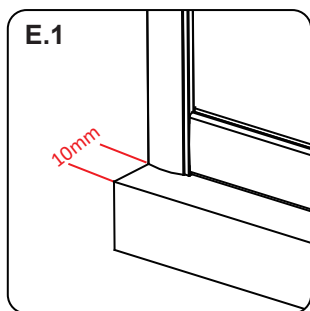


E.1 Place the wall profiles onto the enclosure. Position the enclosure onto the tray. Ideally the enclosure should be positioned 10mm from the edge of the tray as shown. Centralize the enclosure onto the tray top rim and position vertically plumb using a spirit level.

E.2 Mark the position for fixing the wall profile using a pencil or a water soluble pen as shown.

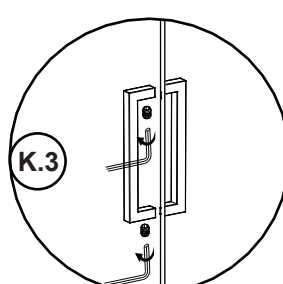
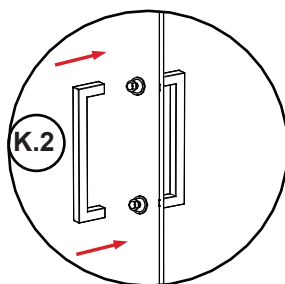
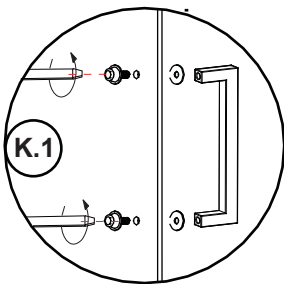
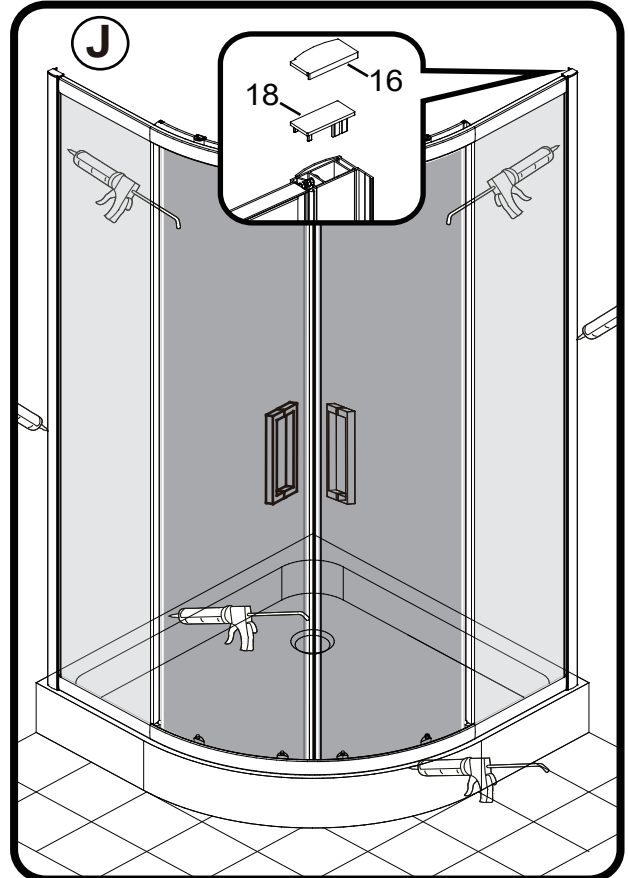
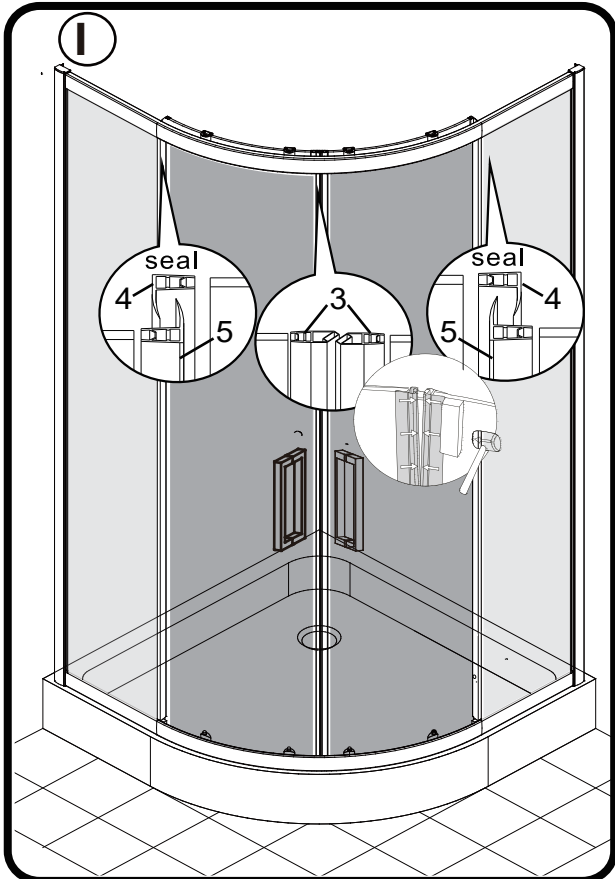
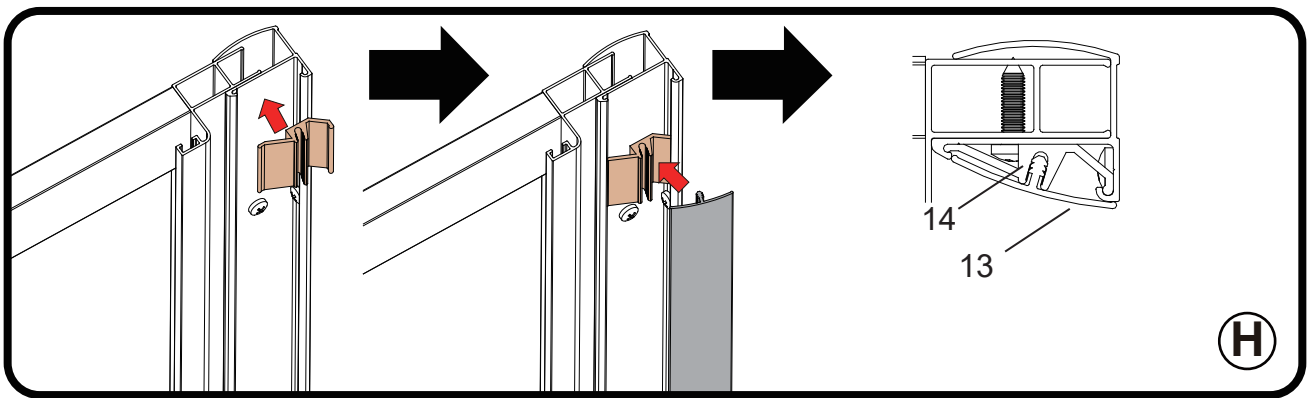
E.3 Remove the enclosure then drill the holes to the wall using $\text{Ø}6$ drill bit as shown.

E.4 Insert the wall plugs into the wall holes. Then Secure the wall profile using ST3.5 x 30 screw.



G Drill 3 equally spaced holes with a 2.75mm drill bit through the wall profiles and frame.

H Fix the frame to the wal profiles using screws 4x12



Tips - In cold weather the seal may be more difficult to fit. In this case it is advisable to warm the seal in some warm soapy water to make it more pliable.

Applying Silicone Sealant

Sealing Inside

Seal from the top of the wall profile to the bottom on the **INSIDE** between the wall profile and the wall.

IMPORTANT: Do not apply sealant on inside of tray.

Sealing Outside

Seal only along the bottom rail and glass on the **OUTSIDE** between the profile /glass and the tray. Also up between the wall profile and the wall.

Seal also the joints between the bottom profile and any upright profiles.

24 HRS



DO NOT USE THE ENCLOSURE FOR 24 HOURS AFTER SEALING