

Technical Data Sheet

Ivy Wall Hung Pan Pack
EC7025

essential

BATHROOMS

SPECIFICATION

Please use the reference codes shown below:

EC7025 Ivy Wall Hung Pan Pack



SIZE 520 x 360mm

TRAP P Trap

SOFT CLOSE SEAT With quick release hinges

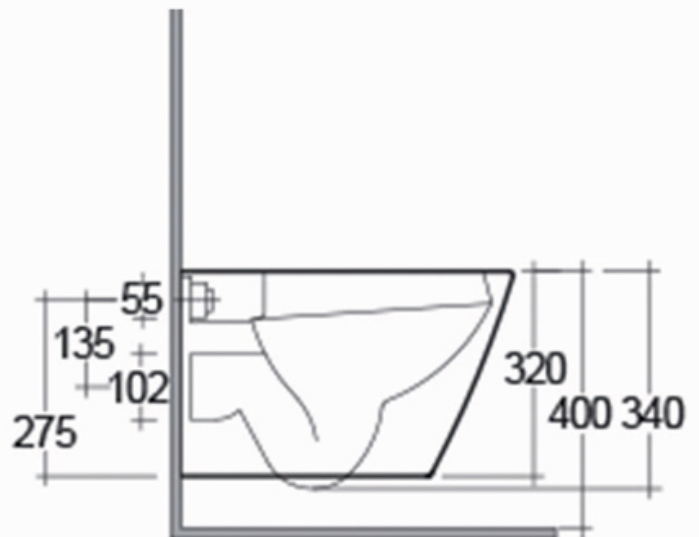
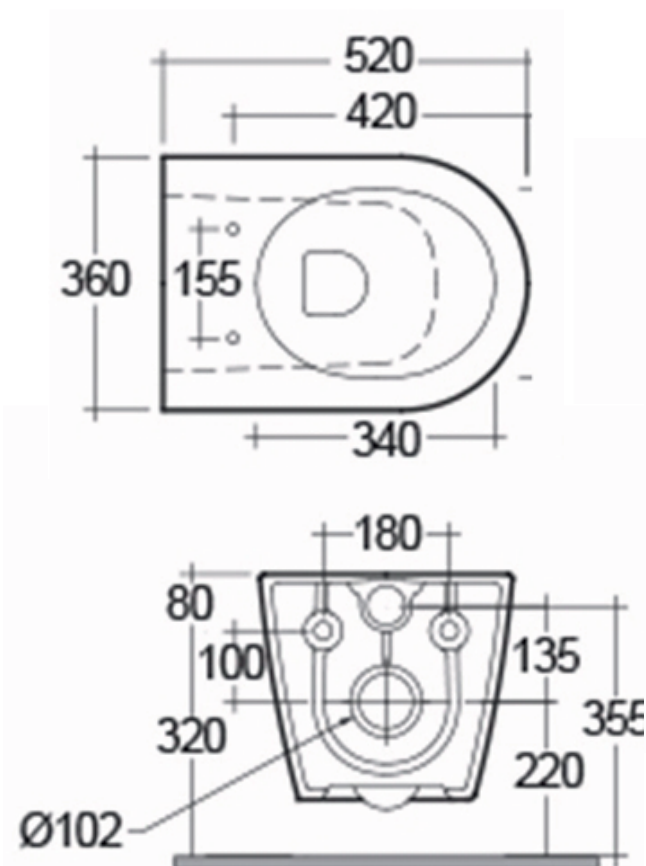
APPROVALS WRAS 1407003

MATERIAL Vitreous china

WEIGHT 28.50 kg

COLOURS Alpine White

FIXING Pan fittings supplied



Dimensions: All measurements are in millimeters and are subject to normal manufacturing variations.

Note: Due to a continuing development programme to improve design and performance, the manufacturer reserves all rights to vary specifications without prior informations. Please note accessories are for photographic use only.