

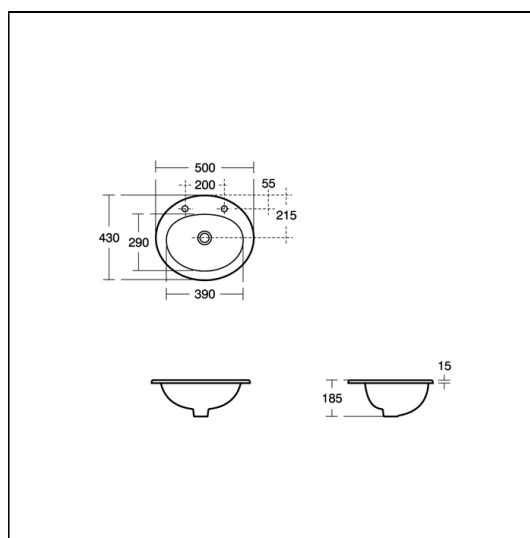
Sandringham 21 Countertop Washbasin 50cm 2 Taphole No Chainstay Hole

ILLUSTRATED

- E8954** Sandringham 21 countertop washbasin 50cm, 2 tapholes with overflow, no chainstay hole
- B9865** Sandringham 21 Washbasin Pillar Taps
- S8722** Waste 1¼" brass strainer waste, 80mm slotted tail
- S8920** Trap 1¼" plastic resealing bottle, 75mm seal, multi-purpose outlet

OPTIONS

- B9875** Sandringham 21 washbasin pillar taps, crosshead handles
- B9881** Sandringham 21 washbasin pillar taps, lever handles
- S8737** Waste 1¼" brass anti theft waste with captive plug, no chain, 80mm slotted tail
- S8803** Waste 1¼" Click plug waste, 80mm slotted tail
- S8733** Waste 1¼" brass anti theft swivel plug waste, 80mm slotted tail
- A5900** TMV Thermostatic mixing valve 15mm
- S8910** Trap 1¼" plastic bottle, 75mm seal, multi-purpose outlet



ILLUSTRATED PRODUCT DETAILS

Sizes

E8954 w:500 x d:440

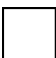



Weights

E8954 7.00 KG
B9865 1.05 KG
S8722 0.22 KG
S8920 2.00 KG

Materials

E8954 Vitreous China
B9865 Chrome Plated Brass
S8722 Chrome Plated Metal
S8920 Plastic

Finishes

- E8954**  White (01)
- B9865**  Chrome (AA)
- S8722**  Chrome (AA)
- S8920**  Neutral / No Finish (67)

Flow rates

B9865 13 Litres per minute @ 3 bar pressure

Special Notes

Self-rimming for drop-in installation as per template supplied and joint sealed with waterproof sealant (not supplied).