

Sandringham 21 Washbasin 50cm 2 Taphole

ILLUSTRATED

- E8946** Sandringham 21 washbasin 50cm, 2 taphole, with overflow and chainstay hole
- E8976** Sandringham 21 pedestal
- B9865** Sandringham 21 Washbasin Pillar Taps
- S8800** Waste 1¼" plastic waste with bead chain and plug, 80mm slotted tail, bolt stay
- S8950** Trap 1¼" plastic P for use with cloakroom pedestal

OPTIONS

- E0157** Wall fixing set
- B9875** Sandringham 21 washbasin pillar taps, crosshead handles
- B9881** Sandringham 21 washbasin pillar taps, lever handles
- S8722** Waste 1¼" brass strainer waste, 80mm slotted tail
- S8733** Waste 1¼" brass anti theft swivel plug waste, 80mm slotted tail
- S8810** Waste 1¼" plastic strainer, dished pattern 80mm unslotted tail
- S8900** Trap 1¼" metal bottle, 75mm seal, outlet screwed 1¼" BSP male with compression nut and ring
- S8910** Trap 1¼" plastic bottle, 75mm seal, multi-purpose outlet
- S8920** Trap 1¼" plastic resealing bottle, 75mm seal, multi-purpose outlet

ILLUSTRATED PRODUCT DETAILS

Sizes

E8946 w:500 x d:440

Weights

- E8946** 15.00 KG
- E8976** 10.28 KG
- B9865** 1.05 KG
- S8800** 0.08 KG
- S8950** 1.00 KG

Materials

- E8946** Vitreous China
- E8976** Vitreous China
- B9865** Chrome Plated Brass
- S8800** Chrome Plated Plastic
- S8950** Plastic

Finishes

- E8946** White (01)
- E8976** White (01)
- B9865** Chrome (AA)
- S8800** Chrome (AA)
- S8950** Neutral / No Finish (67)

Capacity

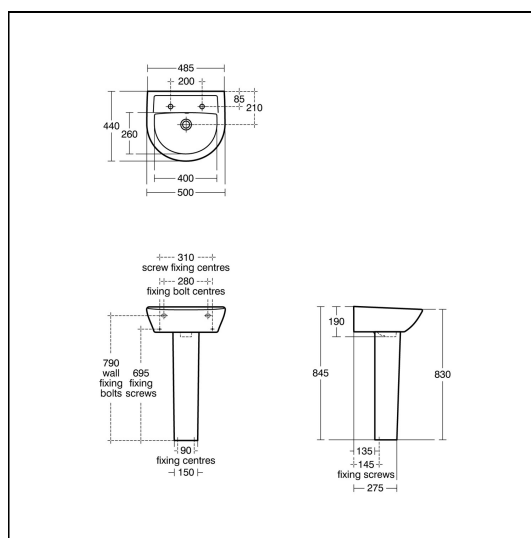
E8946 3 litres

Flow rates

B9865 13 Litres per minute @ 3 bar pressure

Special Notes

Washbasin wall mounted using E0157 wall fixing set or full pedestal mounted using 2 screws through back of basin (not supplied).



Sandringham 21 Washbasin 50cm 2 Taphole

