

Sandringham 21 Smooth Close Coupled WC Suite

ILLUSTRATED

- E8221** Sandringham 21 Smooth close coupled WC pan with horizontal outlet
- E8999** Sandringham 21 Smooth Close coupled 4/2.6 litre dual flush valve, bottom supply and internal overflow
- E1316** Seat and cover, normal close
- S9101** Domex screws (pair)

OPTIONS

- E8998** Sandringham 21 Smooth Close coupled 6/4 litre dual flush valve, bottom supply and internal overflow
- S2985** Sandringham 21 seat and cover, slow close
- E1317** Sandringham 21 seat and cover, metal hinges, normal close
- E1319** Sandringham 21 seat no cover, metal hinges, normal close
- S4305** Panekta outlet Connector, finned pattern to convert horizontal outlet WCs to P trap
- S4300** Panekta outlet Connector, finned pattern to convert horizontal outlet WCs to S or turned P trap

ILLUSTRATED PRODUCT DETAILS

Weights

- E8221** 15.50 KG
- E8999** 14.34 KG
- E1316** 2.17 KG
- S9101** 0.22 KG

Materials

- E8221** Vitreous China
- E8999** Vitreous China
- E1316** Plastic
- S9101** Metal

Finishes

- E8221** White (01)
- E8999** White (01)
- E1316** White (01)
- S9101** White (01)

Capacity

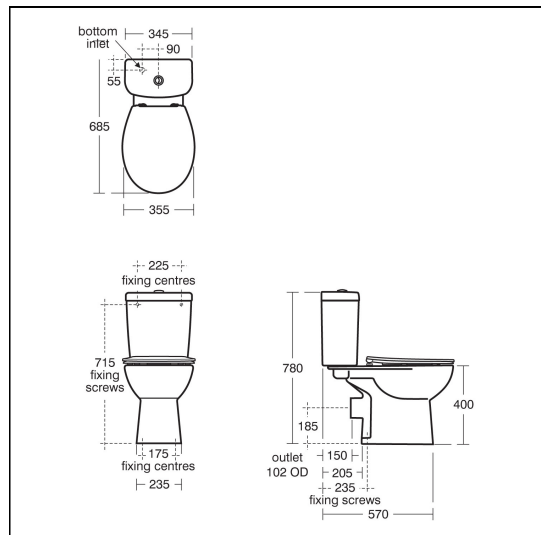
- E8999** 4 litres

Standards

Vitreous china to BS 3402

Special Notes

WC screwed to floor and cistern screwed to wall (not supplied).



ACCREDITATIONS



Flush Valve
1307005



Inlet Valve
NSF171723

FEATURES

