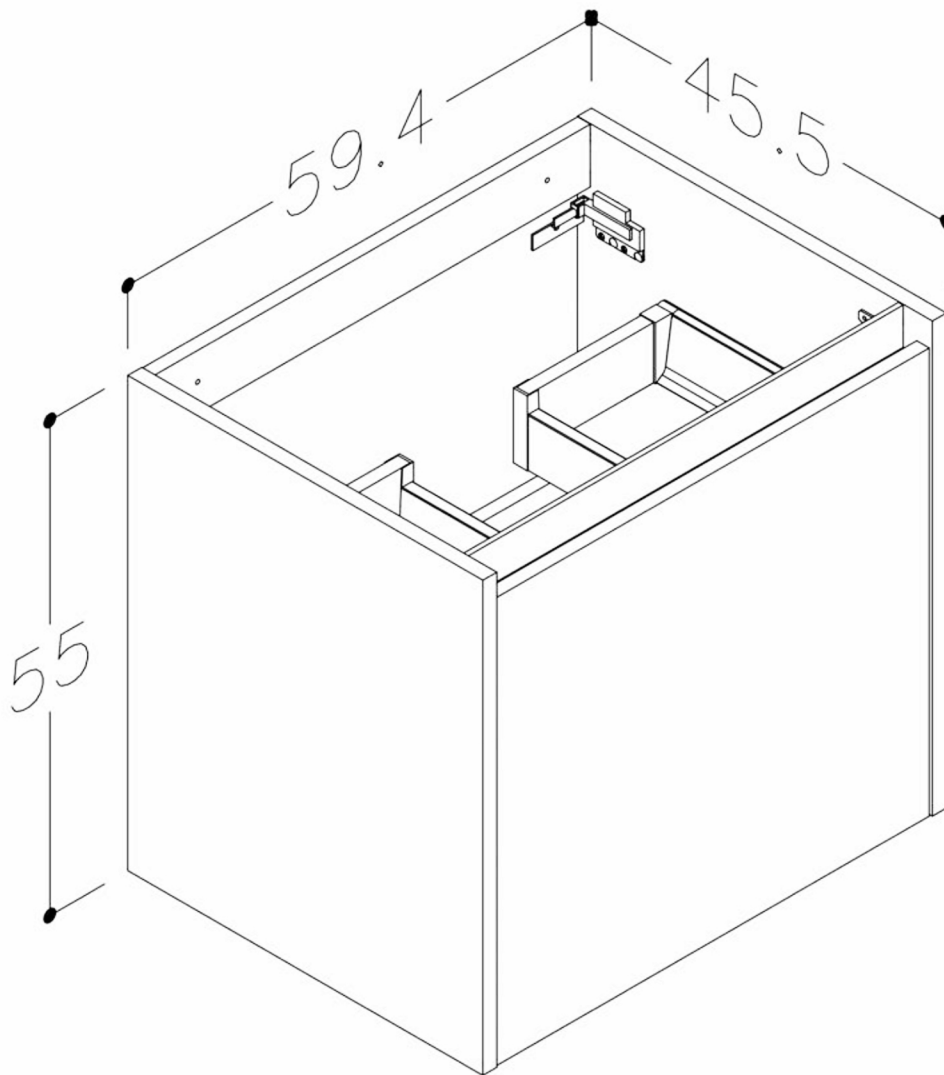




# Technical Drawing

**Product code:** CYWM603W + P600BS AND CYWM603AN + P600BS

**Product range:** City 600



---

[www.jtpuk.co.uk](http://www.jtpuk.co.uk)

[technical@jtpuk.co.uk](mailto:technical@jtpuk.co.uk)

01895 442211