

WC Seats

Compact Special Needs Seat

RAK
CERAMICS

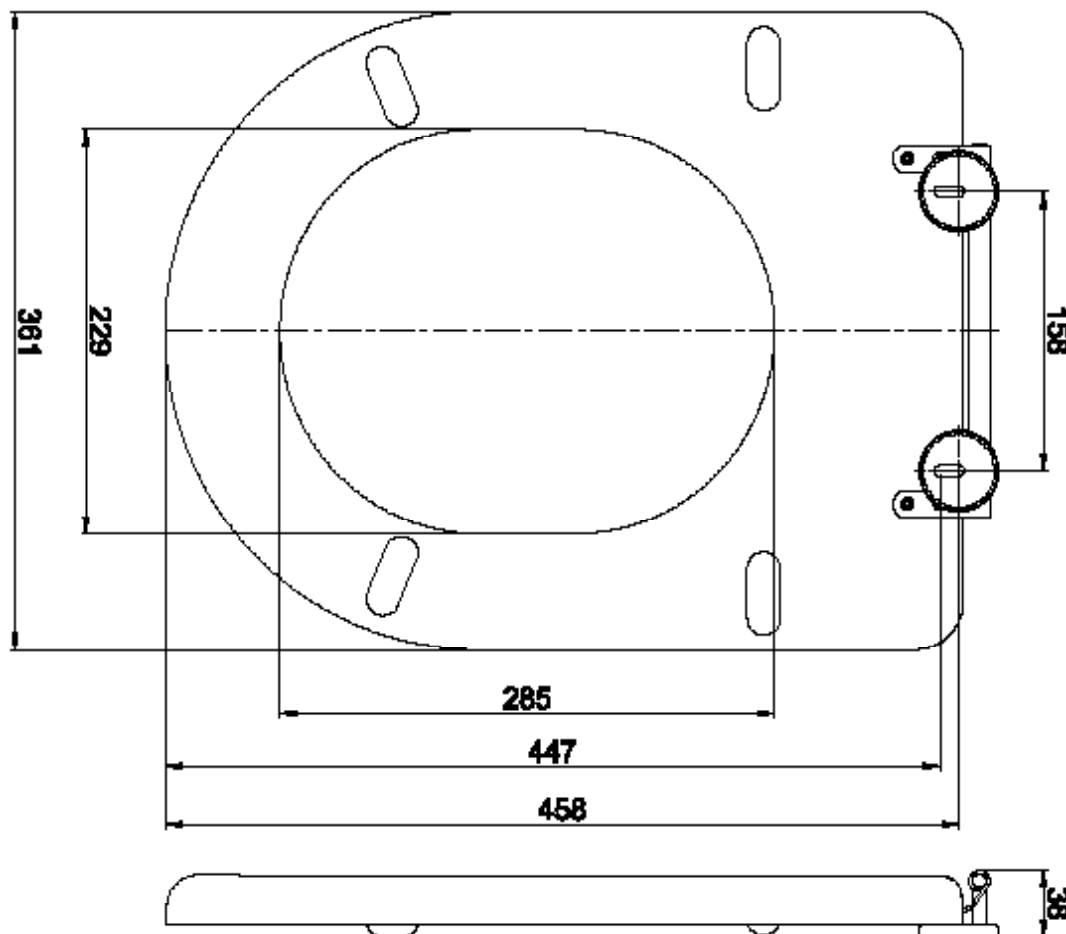
SPECIFICATION/CODE REFERENCE

Please use the reference codes shown below:

COMSEATSNANTH COMPACT RIMLESS in ANTHRACITE



SIZE	467 x 360 x 38 mm
MATERIAL	Plastic
WEIGHT	2.50 kg
COLOURS	Anthracite Grey RAL Colour 7016
FIXING	Seat to Pan Fittings Supplied
WARRANTY	Two Years



Dimensions: All measurements are in millimeters and are subject to normal manufacturing variations.

Note: Due to a continuing development programme to improve design and performance, the manufacturer reserves all rights to vary specifications without prior informations. Please note accessories are for photographic use only.

Tel: 01730 237850 Fax: 01730 263210. RAK Ceramics, Bradford House, Frenchmans Road, Petersfield, Hampshire GU32 3AW

Contact us at: info.uk@rakceramics.com / Visit us at: www.rakceramics.com 2019