

Compact Rimless Commercial

WC's EXTENDED PROJECTION FOR WHEELCHAIR ACCESS

RAKRIMLESS™ COMPACT 700mm wall hung WC

APPLICATIONS: COMMERCIAL, EDUCATION, HEALTH CARE, DOMESTIC, SPECIAL NEEDS, HOTEL AND LEISURE

RAK
CERAMICS



SPECIFICATION/CODE REFERENCE

HTM64 compliant extended wall hung wash down rimless pan.

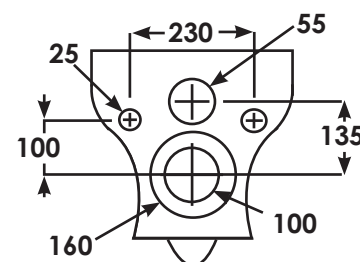
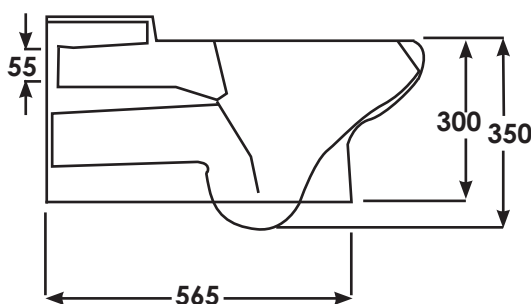
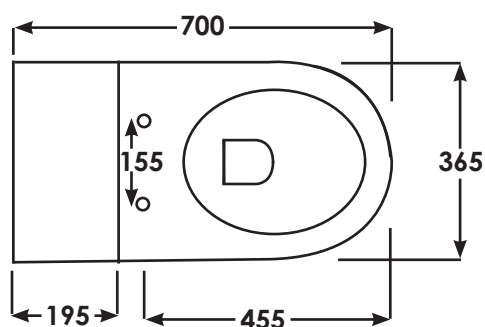
Supports up to 400kg in weight

Please use the reference codes shown below:

**COMRIMWHPAN
RAKSEAT011 or
RAKSEAT008**

SIZE	700 x 365 x 350 mm
TRAP	P trap
SEAT	Easy fit top fixing with wrap over lid RAKSEAT011
RING SEAT	With stainless steel top fixing hinges RAKSEAT008
APPROVALS	WRAS 14040111
STANDARD	BS 3402, EN997
MATERIAL	Vitreous china
WEIGHT	33.50 kg
COLOURS	White
WARRANTY	25 Years on Ceramics and 2 Years WC Seat

Also available with a soft close seat and cover.



Dimensions: All measurements are in millimeters and are subject to normal manufacturing variations.

Note: Due to a continuing development programme to improve design and performance, the manufacturer reserves all rights to vary specifications without prior informations. Please note accessories are for photographic use only.

Tel: 01730 237850 Fax: 01730 263210. RAK Ceramics, Bradford House, Frenchmans Road, Petersfield, Hampshire GU32 3AW
Contact us at: info.uk@rakceramics.com / Visit us at: www.rakceramics.com 2017