

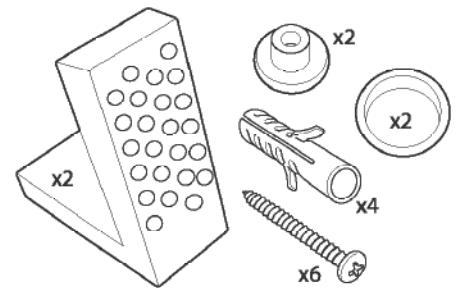
No.	Description	Product Code	Fixings included	Gross Weight	Net Weight
1	Cistern inc. Flush Fitting & Lid	C100S	Yes	11.4kg	---
2	New Soft Close Seat	TS100WSC	Yes	--	---
3	Short Projection WC Pan	P100S	Yes	21.2kg	---



Cistern Settings:

Full Flush Volume: 6L
Reduced Flush Volume: 4L

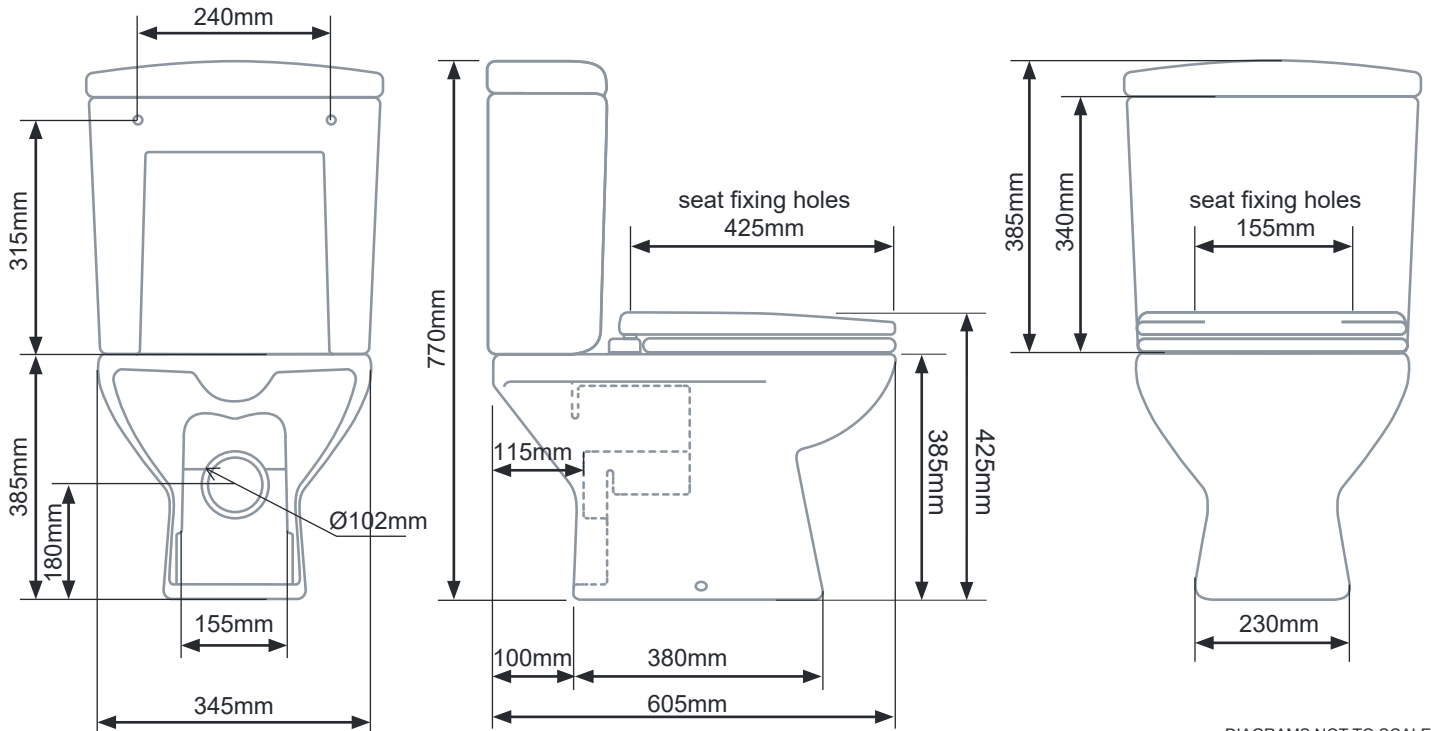
Floor Fixing Kit:



Also Available:

Soft close thermostet toilet seat | TS100WSC

FOR DIMENSIONS FOR TS100WSC PLEASE SEE PAGE 2 (BTW100S)



DIAGRAMS NOT TO SCALE
ALL DIMENSIONS IN MM
TOLERANCE OF ± 5MM

FAQ's

What side is the inlet located? **Right hand side**

Are there any other compatible seats? **TS100 and TS100WSC (soft close) only**

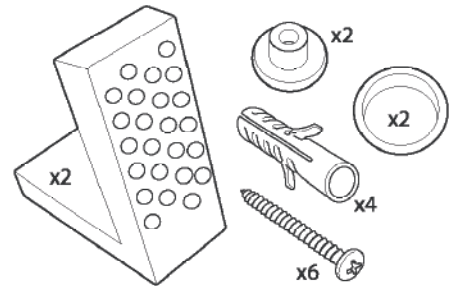
Can this pan be used with a side connection outlet pipe? **Yes**

The cistern lid won't shut/the cistern isn't working correctly. **Ensure the inlet and flush valves are set to the correct heights. See "Cistern Settings" above.**

No.	Description	Product Code	Fixings included	Gross Weight	Net Weight
1	New Soft Close Seat	TS100WSC	Yes	--	--
2	Back to Wall Pan	BTW100S	Yes	20.2kg	--



Floor Fixing Kit:

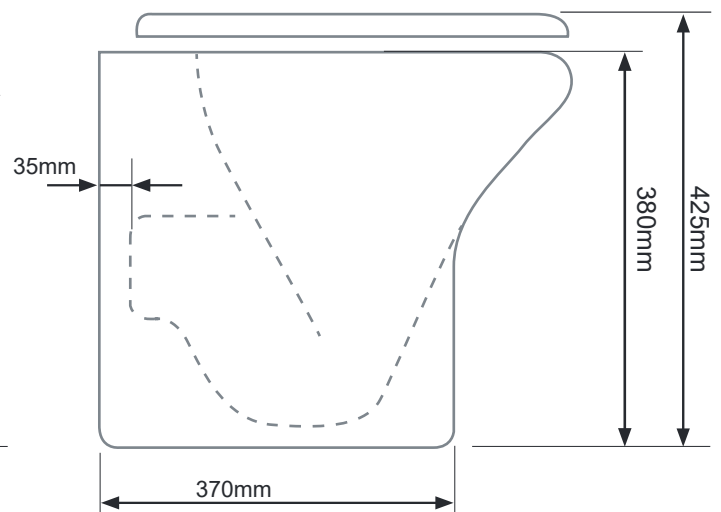
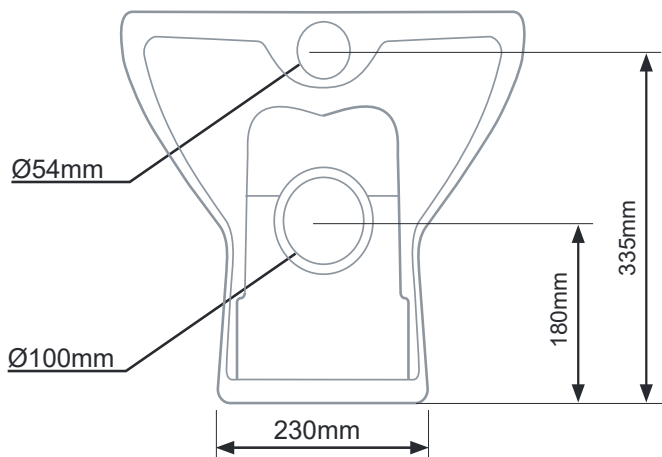
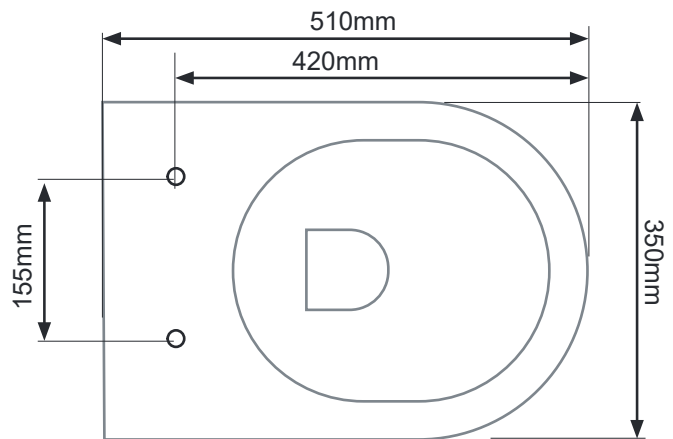


Also Available:

Soft close thermostet toilet seat | TS100WSC

DIAGRAMS NOT TO SCALE
ALL DIMENSIONS IN MM
TOLERANCE OF ± 5MM

Dimension	Measurement
Lid Front to Back	430mm
Lid Left to Right	350mm
Ring Hole Front to Back	280mm
Ring Hole Left to Right	225mm
Seat Overall Thickness	30mm
Width of Back of Seat	350mm
Min/Max Adjustment for Fixings	60/165mm



FAQ's

What side is the inlet located? **Right hand side**

Can this pan be used with a side connection outlet pipe? **NO**

Are there any other compatible seats? **TS100 and TS100WSC (soft close) only**

No.	Description	Product Code	Fixings included	Gross Weight	Net Weight
1	450mm Basin	SB145S	NO	13kg	--
2	565 mm Basin	SB100S	NO	15.4kg	--
3	Full Height Pedestal	PE100S	NO	12.7kg	--



Also Available:

450 two tap hole basin | DB145
565 two tap hole basin | DB100

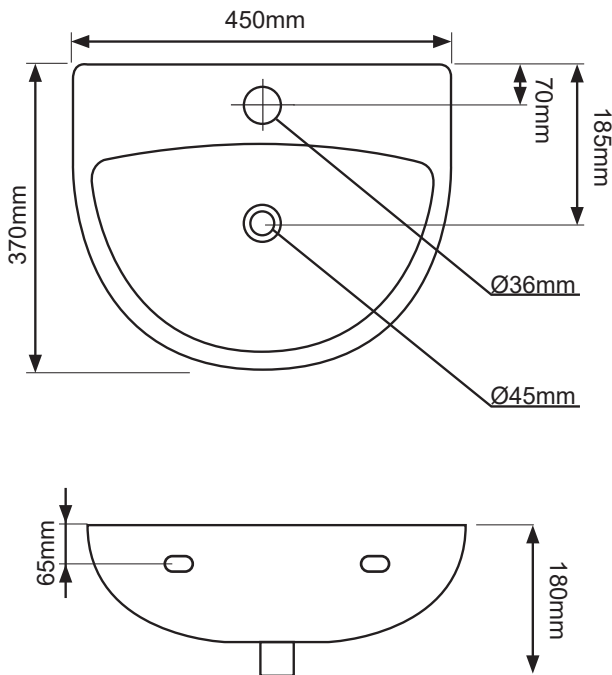
TRAP 6:

SB145 AND DB145 can be installed with a bottle trap

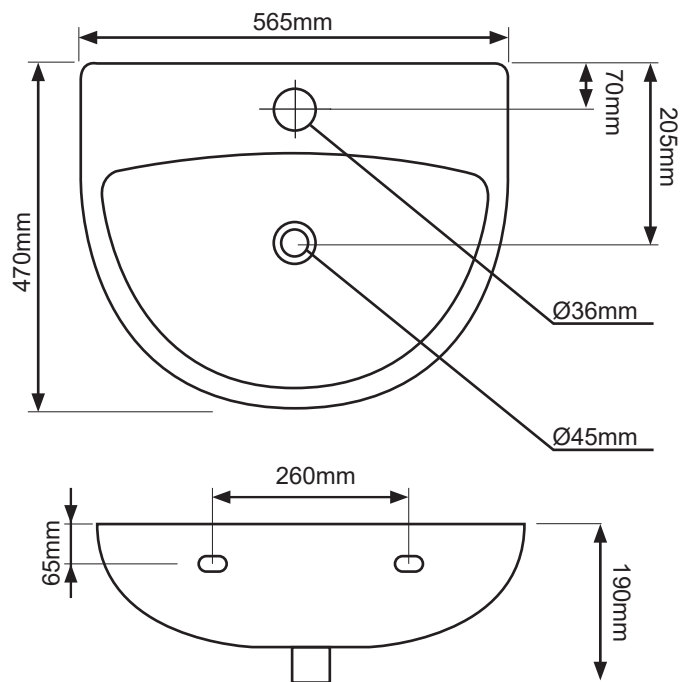
Pedestal Size:

180mm (w) x 160mm (d) x 725mm (h)

450 MM BASIN



565 MM BASIN



DIAGRAMS NOT TO SCALE | ALL DIMENSIONS IN MM | TOLERANCE OF ± 5MM
SLOTTED FIXING HOLES (30MM X 20MM APPROX)

Total Height of Ped & Basin: 840 mm

Total Height of Ped & Basin: 860 mm

FAQ's

Micra 565 internal bowl dimensions:
290mm x 450mm x 145mm depth

Micra 450 on ped gap at back:
85mm

Micra 450 internal dimensions:

Internal depth = 70mm
Front to back = 70mm
Left to Right = 320mm
Tapledge = 45mm
Tap hole = 36mm
Tap hole to centre = 120mm

Micra 565 internal dimensions:

Internal depth = 100mm
Front to back = 240mm
Left to Right = 390mm
Tapledge = 55mm
Tap hole = 34mm
Tap hole to centre = 145mm

Full height Pedestal extra dimensions:

Distance from Base to Wall = 100mm
Foot Front to Back Depth = 150mm
Left to Right (Front) = 190mm
Left to Right (Back) = 190mm
Cavity Width (Pipe Fit) = 95mm
Cavity Depth (Pipe Fit) = 110mm

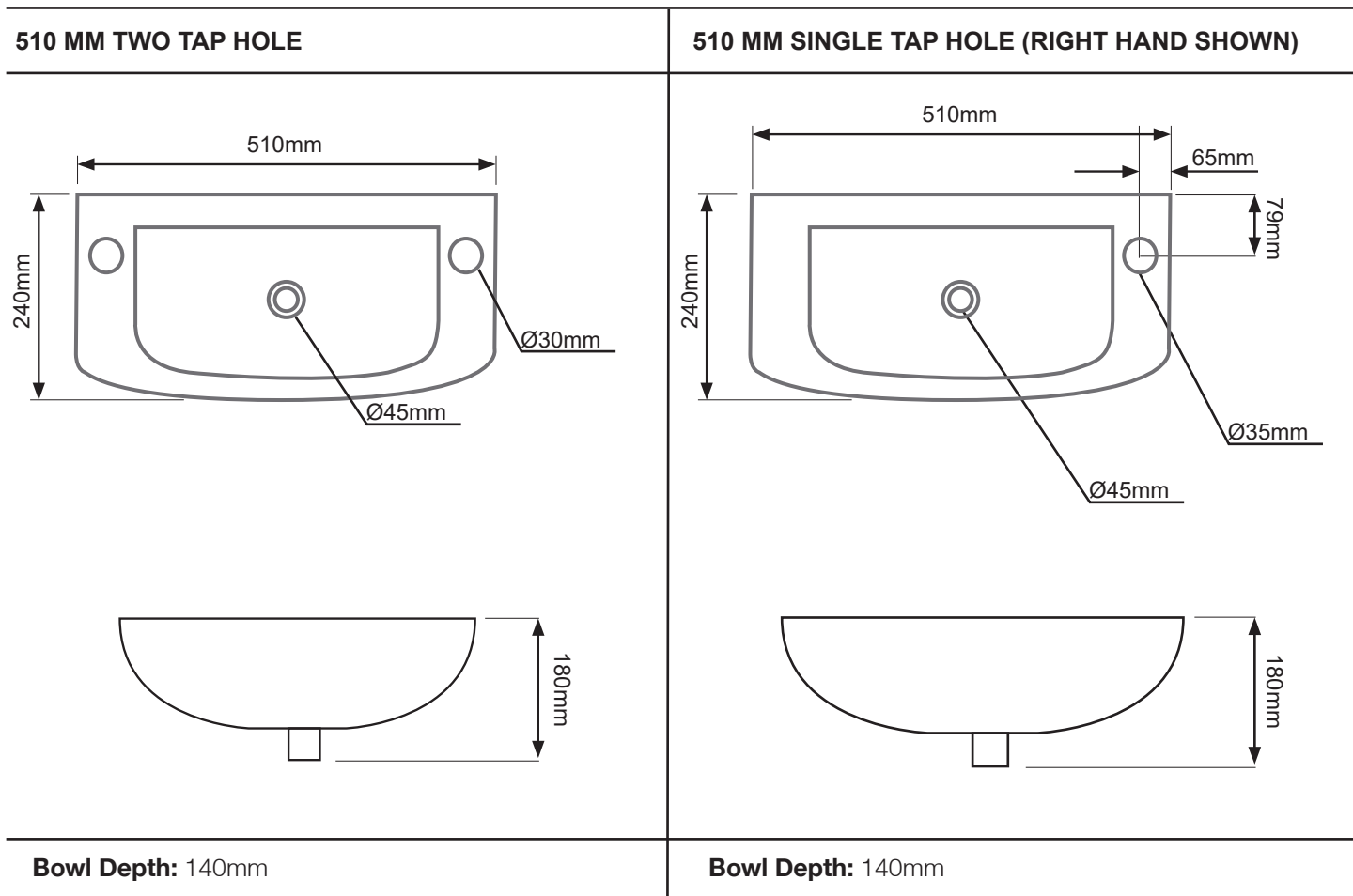
No.	Description	Product Code	Fixings included	Gross Weight	Net Weight
1	510 mm Slimline Basin (2 Tap Holes)	SDB100S	NO	12.6kg	--
2	Bottle Trap	TRAP 6	NO	--	--



Also Available:

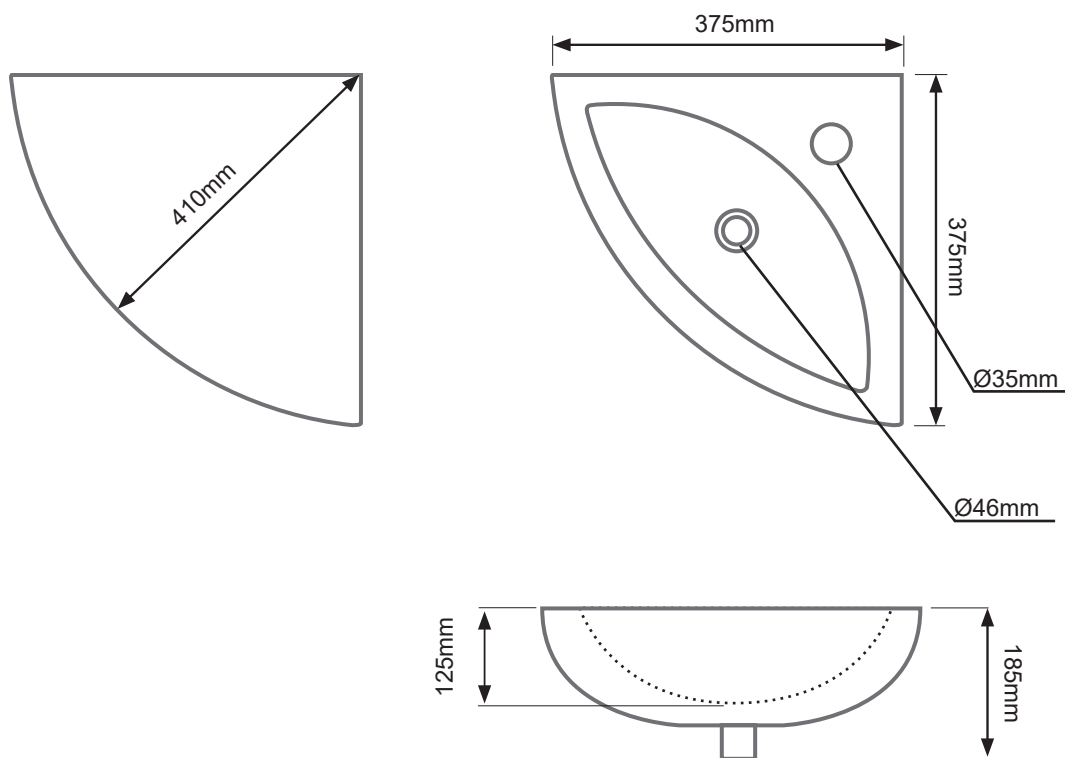
510 mm Slimline Basin RH Single Tap Hole | SSRB100

510 mm Slimline Basin LH Single Tap Hole | SSLB100



DIAGRAMS NOT TO SCALE | ALL DIMENSIONS IN MM | TOLERANCE OF ± 5MM

No.	Description	Product Code	Fixings included	Gross Weight	Net Weight
1	575 mm Corner Basin	CB100S	NO	10.4kg	--
2	Bottle Trap	TRAP 6	NO	--	--



FAQ's

Micra 565 internal bowl dimensions:

- Internal depth = 105mm**
- Front to back = 235mm**
- Left to Right = 223mm**
- Tapledge = 60mm**

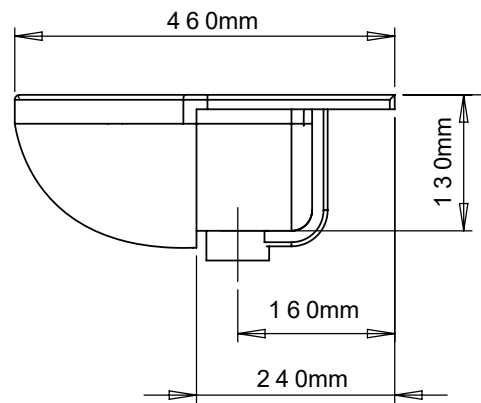
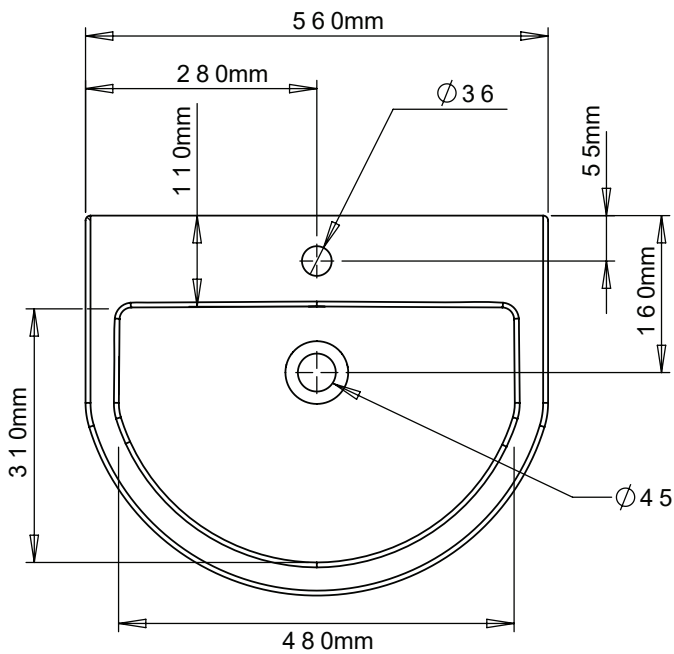
- Taphole to centre = 130mm**
- Distance from waste to wall / side = 160mm**
- Distance from waste to corner = 225mm**

DIAGRAMS NOT TO SCALE | ALL DIMENSIONS IN MM | TOLERANCE OF ± 5MM

TAVISTOCK | micra

SEMI - COUNTERTOP BASIN

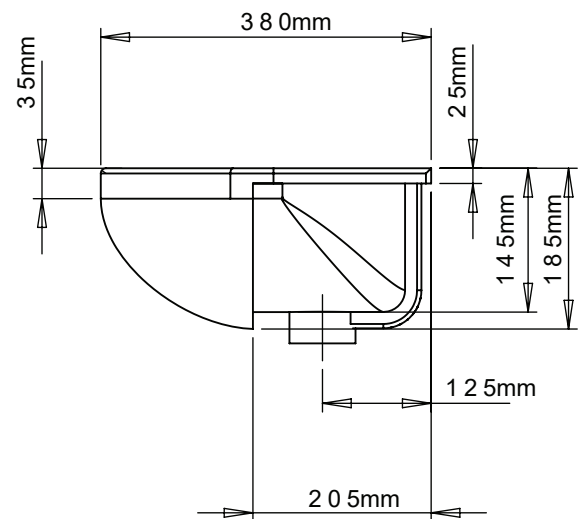
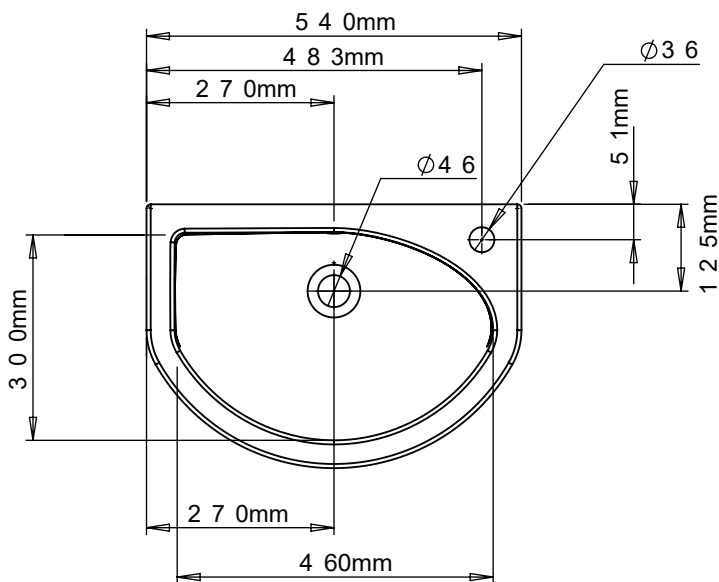
No.	Description	Product Code	Fixings included	Gross Weight	Net Weight
1	560mm SEMI COUNTERTOP BASIN	SCSB130S	YES	11.8 kg	---



Bowl Depth: 115mm

DIAGRAMS NOT TO SCALE | ALL DIMENSIONS IN MM | TOLERANCE OF ± 5MM

No.	Description	Product Code	Fixings included	Gross Weight	Net Weight
1	535mm SLIMLINE SEMI-COUNTERTOP BASIN	SCSB120S	YES	10.95 kg	---



Bowl Depth: 130mm

DIAGRAMS NOT TO SCALE | ALL DIMENSIONS IN MM | TOLERANCE OF ± 5 MM

No.	Description	Product Code	Fixings included	Gross Weight	Net Weight
1	Cistern inc. Flush Fitting & Lid	C100S	Yes	11.4kg	---
2	New Soft Close Seat	TS100WSC	Yes	--	---
3	Comfort Height Close Coupled Pan	PC100S	Yes	---	---

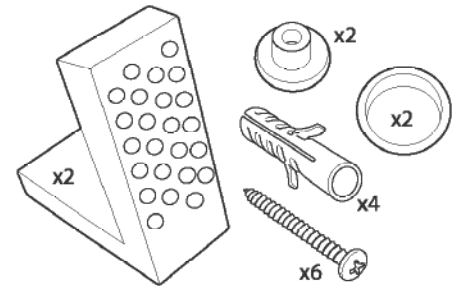


Cistern Settings:

Full Flush Volume: 6L

Reduced Flush Volume: 4L

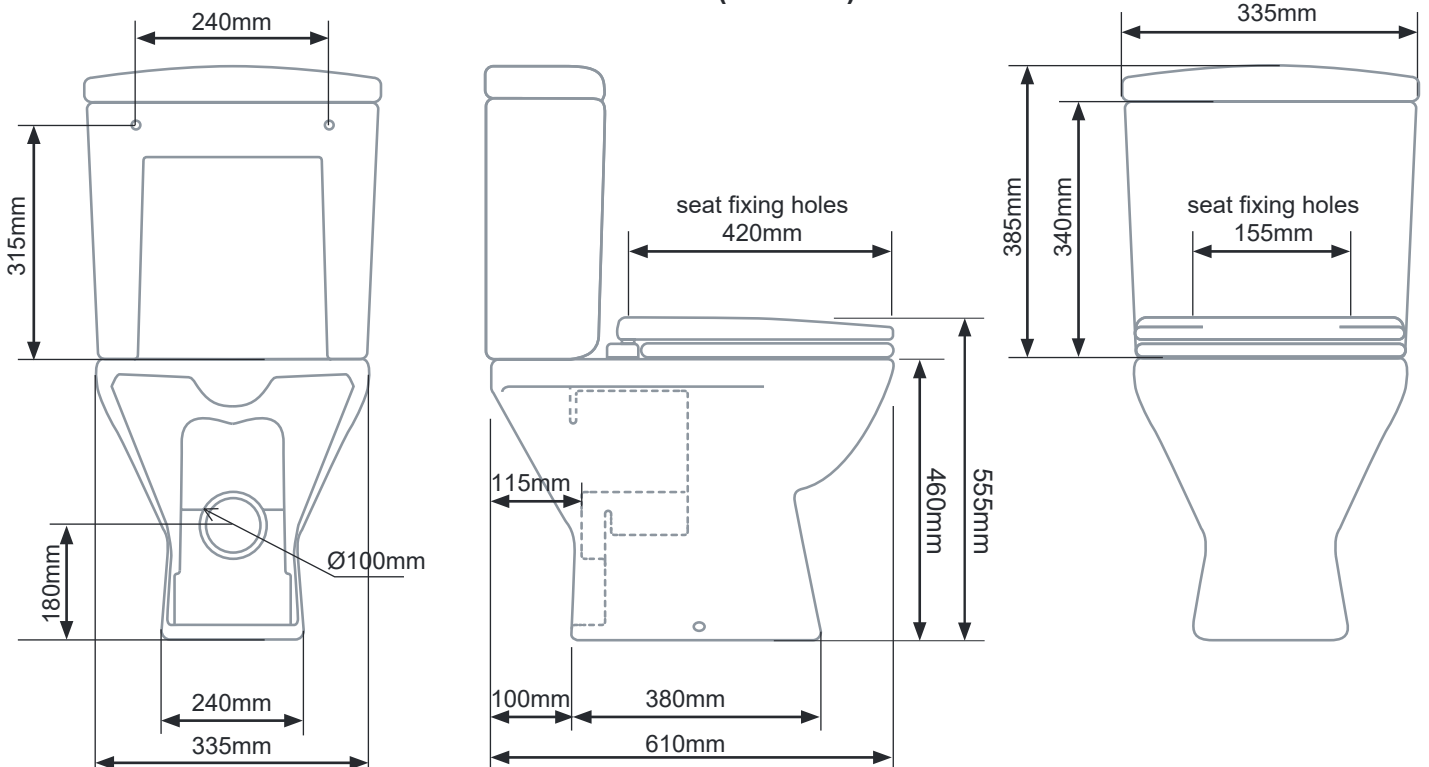
Floor Fixing Kit:



Also Available:

Soft close thermostet toilet seat | TS100WSC

FOR DIMENSIONS FOR TS100WSC PLEASE SEE PAGE 2 (BTW100S)



FAQ's

What side is the inlet located? **Right hand side**

Are there any other compatible seats? **TS100 and TS100WSC (soft close) only**

Can this pan be used with a side connection outlet pipe? **Yes**

The cistern lid won't shut/the cistern isn't working correctly. **Ensure the inlet and flush valves are set to the correct heights. See "Cistern Settings" above.**

No.	Description	Product Code	Fixings included	Gross Weight	Net Weight
1	Cistern inc. Flush Fitting & Lid	PF100S	Yes	11.4kg	--
2	Micra Fully Back to Wall Close Coupled Pan	WH100S	Yes	--	--



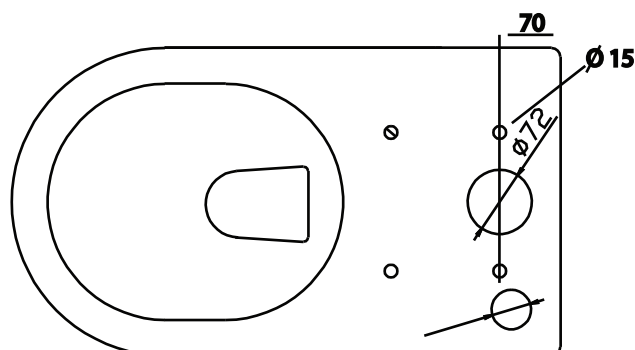
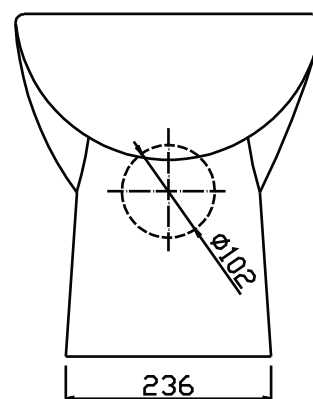
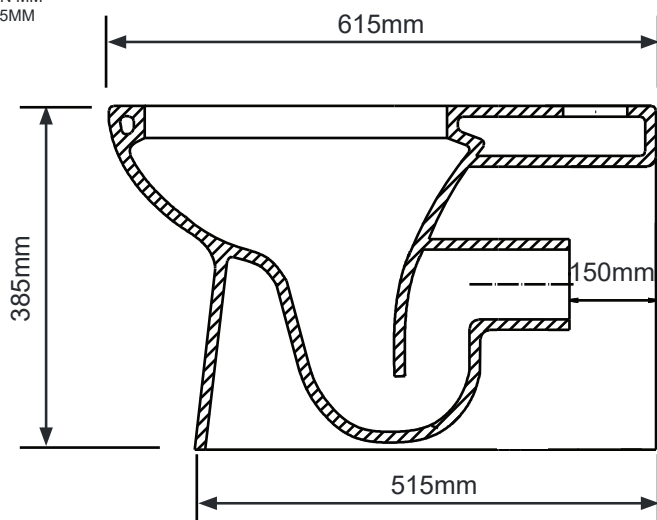
Also Available:

Soft close thermostet toilet seat | TS100WSC

wall fixings included

DIAGRAMS NOT TO SCALE
ALL DIMENSIONS IN MM
TOLERANCE OF ± 5MM

FOR DIMENSIONS FOR TS100WSC PLEASE SEE OVERPAGE (BTWC100S)



FAQ's

What side is the inlet located? **Right hand side**

Can this pan be used with a side connection outlet pipe? **NO**

Are there any other compatible seats? **TS100 and TS100WSC (soft close) only**

No.	Description	Product Code	Fixings included	Gross Weight	Net Weight
1	New Soft Close Seat	TS100WSC	Yes	--	--
2	Wall Hung Pan	WH100S	Yes	--	--



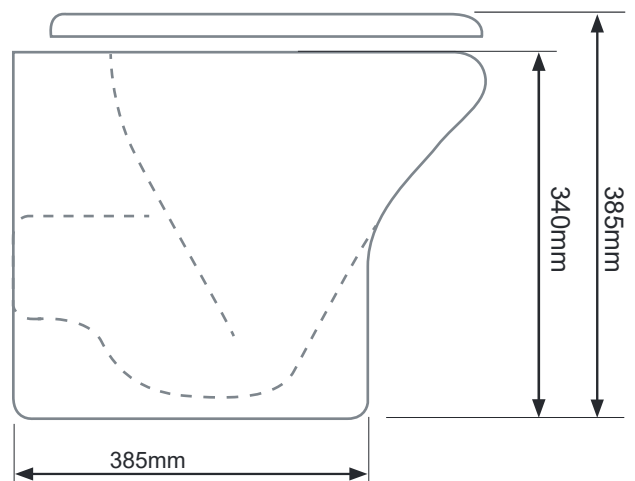
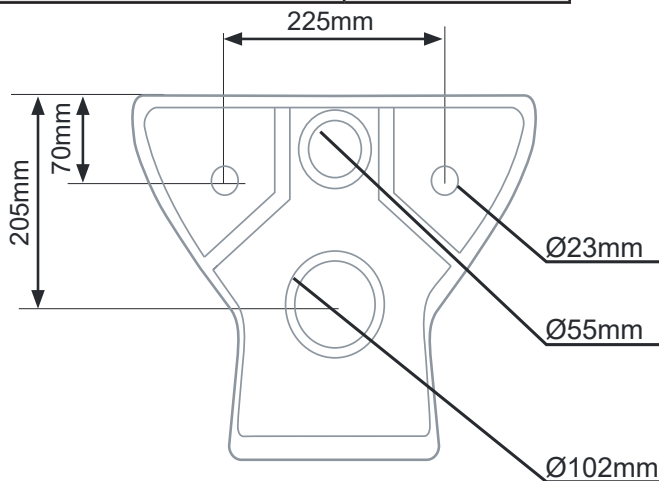
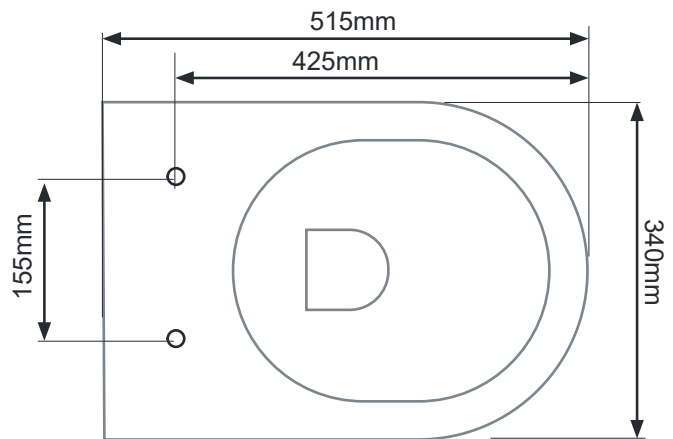
Also Available:

Soft close thermostet toilet seat | TS100WSC

wall fixings included

DIAGRAMS NOT TO SCALE
ALL DIMENSIONS IN MM
TOLERANCE OF ± 5MM

Dimension	Measurement
Lid Front to Back	430mm
Lid Left to Right	350mm
Ring Hole Front to Back	280mm
Ring Hole Left to Right	225mm
Seat Overall Thickness	30mm
Width of Back of Seat	350mm
Min/Max Adjustment for Fixings	60/165mm



FAQ's

What side is the inlet located? **Right hand side**

Can this pan be used with a side connection outlet pipe? **NO**

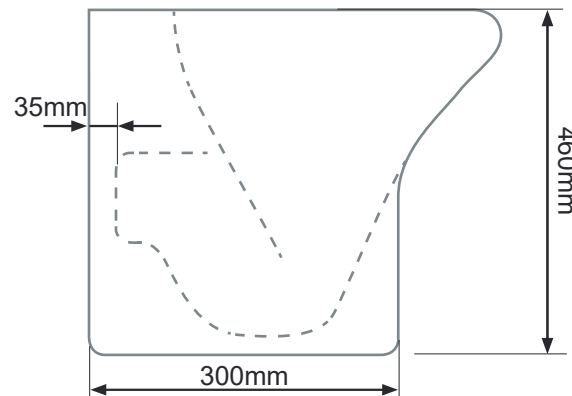
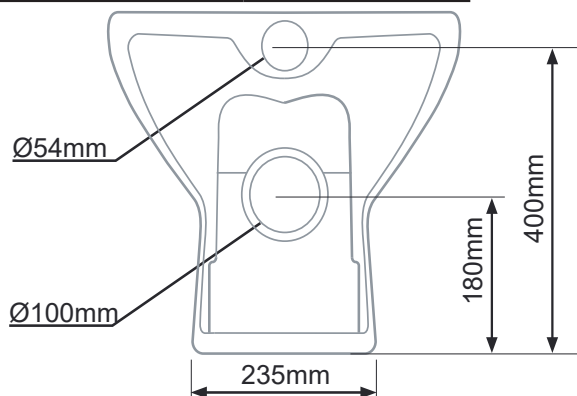
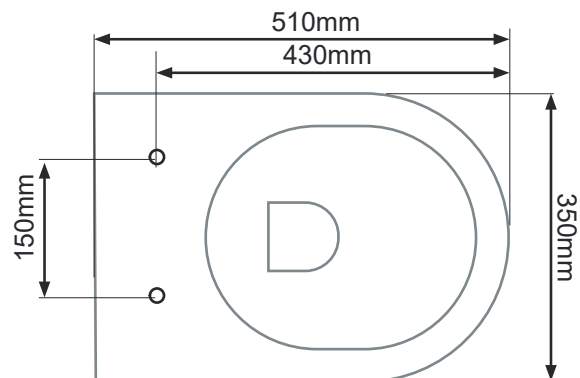
Are there any other compatible seats? **TS100 and TS100WSC (soft close) only**

No.	Description	Product Code	Fixings included	Gross Weight	Net Weight
1	Comfort BTW Pan	BTWC100S	Yes	--	--
2	New Soft Close Seat	TS100WSC	Yes	--	--



DIAGRAMS NOT TO SCALE
ALL DIMENSIONS IN MM

Dimension	Measurement
Lid Front to Back	430mm
Lid Left to Right	350mm
Ring Hole Front to Back	280mm
Ring Hole Left to Right	225mm
Seat Overall Thickness	30mm
Width of Back of Seat	350mm
Min/Max Adjustment for Fixings	60/165mm



FAQ's

- What side is the inlet located?
- Can this pan be used with a side connection outlet pipe?
- Are there any other compatible seats?

Extra Dimensions

- Central Footprint Width = 230mm**
- Front Footprint Width = 190mm**
- Height of inlet centre to floor = 400mm**
- Pan Hole Front to Back = 330mm**
- Pan Hole Width = 265mm**
- Belly = 140mm**