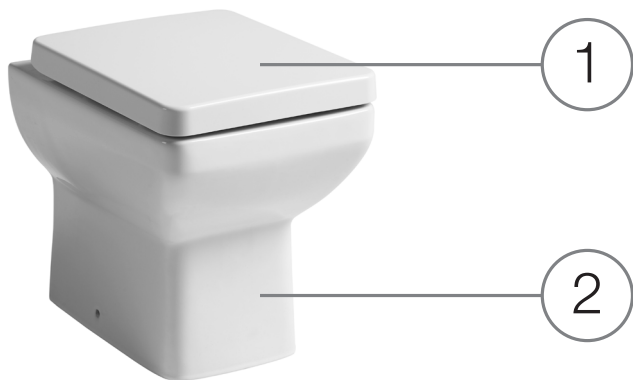
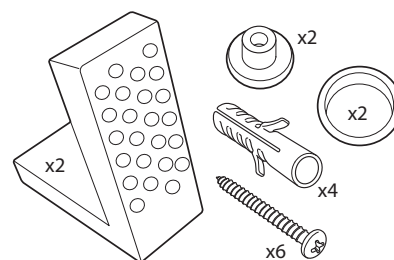


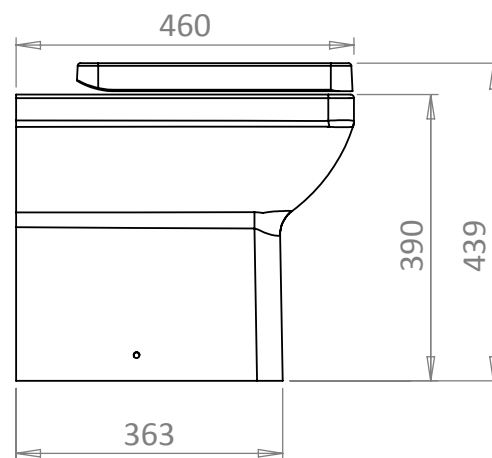
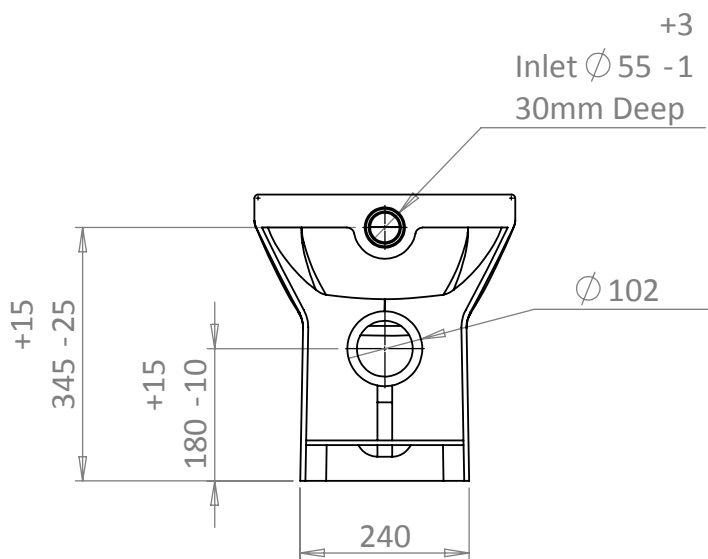
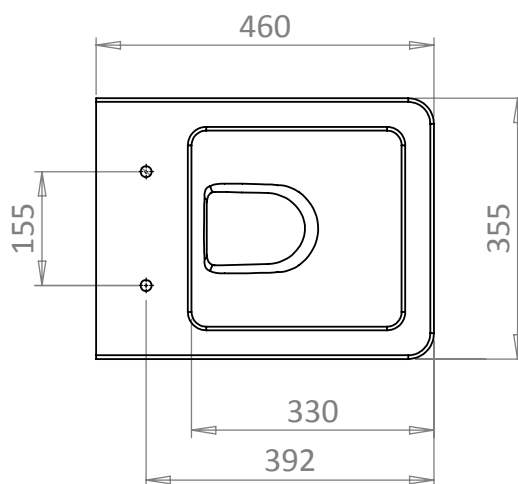
No.	Description	Product Code	Fixings included	Gross Weight	Net Weight
1	Toilet Seat	TS900S	Yes	3kg	--
2	Back to Wall Pan	BTW900S	Yes	--	--



Floor Fixing Kit:



DIAGRAMS NOT TO SCALE
ALL DIMENSIONS IN MM
TOLERANCE OF ± 5MM



FAQ's

What side is the inlet located? **NA**

Are there any other compatible seats? **No**

Can this pan be used with a side connection outlet pipe? **No - BTW Design**