

Technical Data Sheet

Structure
Open Back Close Coupled Pan

TAVISTOCK

No.	Description	Product Code	Fixings Included?	Gross Weight	Net Weight
1	Structure Cistern inc. Flush Fitting & Lid	C450S	Yes	--	--
2	Structure Toilet Seat	TS450S	Yes	--	--
3	Structure Open Back Close Coupled Pan	P450S	Yes	--	--



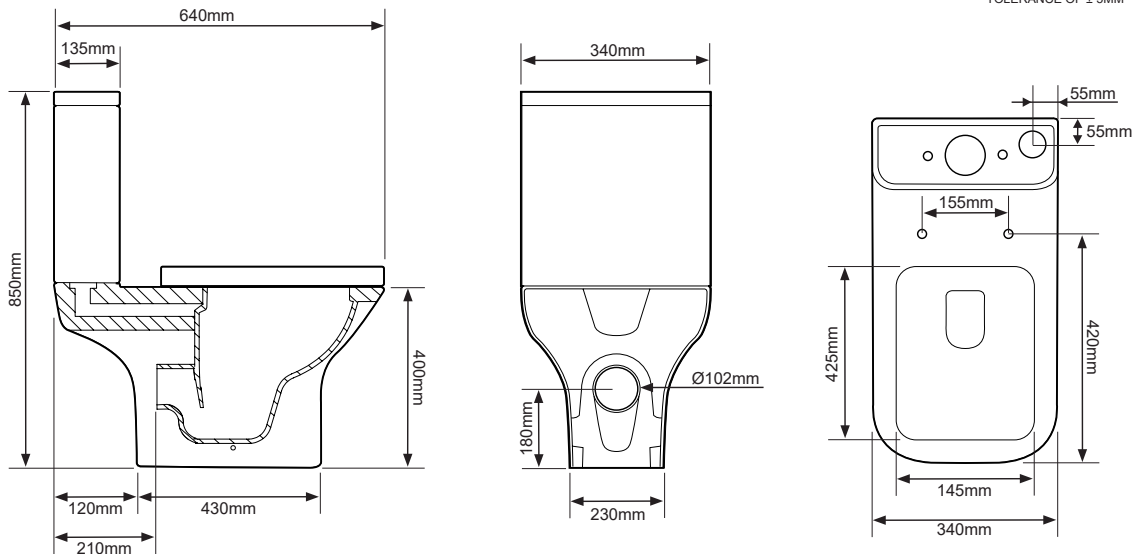
Cistern Settings

Full Flush Volume: 4.5L
Reduced Flush Volume: 3L



All connections to meet BSEN33 Requirements

DIAGRAMS NOT TO SCALE
ALL DIMENSIONS IN MM
TOLERANCE OF ± 5MM



FAQ

What side is the inlet located? **Right hand side**

Are there any other compatible seats? **No**

Can this pan be used with a side connection outlet pipe? **Yes**

The cistern lid won't shut/the cistern isn't working correctly.

Ensure the inlet and flush valves are set to the correct heights.

Water runs into pan when flush finished.

Check valve has no debris underneath.

Does the valve open again? (If not the flush bar is draining; if it does, check flush valve is set correctly)

Has flush volume been adjusted?

TS450S Dimensions	
Seat/Lid front to back	435mm/445mm
Seat/Lid left to right	330mm/345mm
Ring hole front to back	285mm
Ring hole left to right	210mm
Seat overall thickness	47mm
Min/Max adjustment for fixings	55mm-160mm

Technical Data Sheet

Structure
Comfort Height Open Back Close Coupled Pan

TAVISTOCK

No.	Description	Product Code	Fixings Included?	Gross Weight	Net Weight
1	Structure Cistern inc. Flush Fitting & Lid	C450S	Yes	--	--
2	Structure Toilet Seat	TS450S	Yes	--	--
3	Structure Comfort Height Open Back Close Coupled Pan	PC455S	Yes	--	--



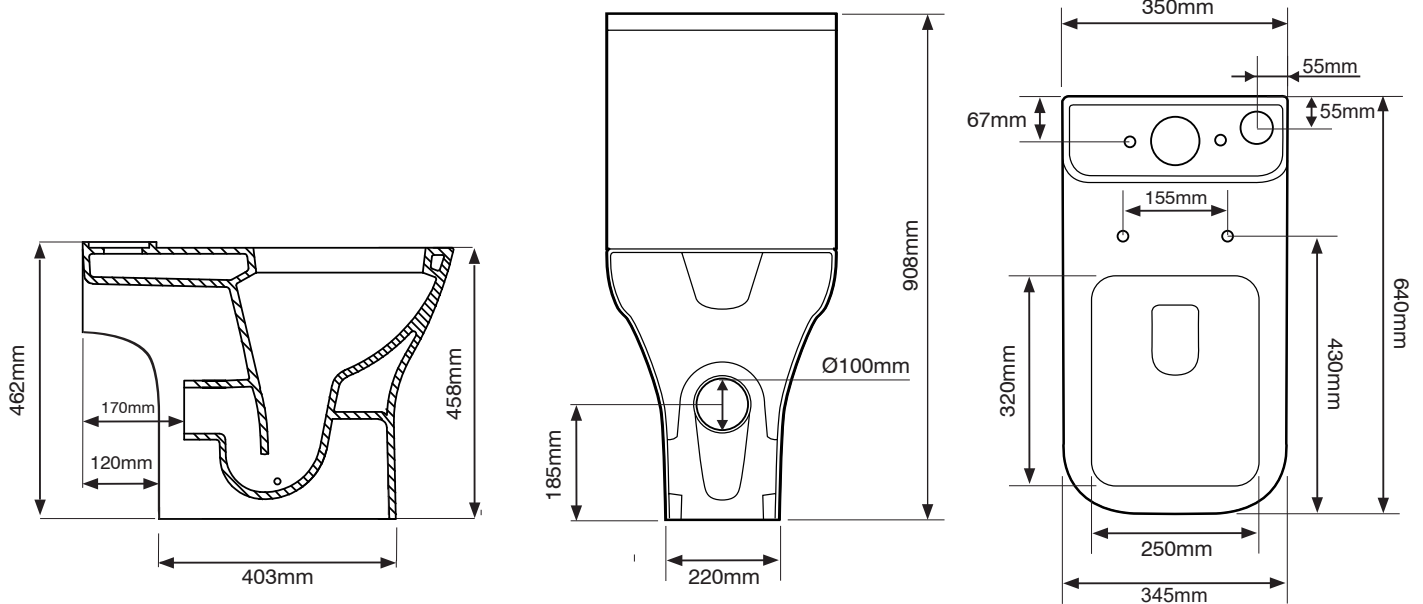
Cistern Settings

Full Flush Volume: 4.5L
Reduced Flush Volume: 3L



All connections to meet BSEN33 Requirements

DIAGRAMS NOT TO SCALE
ALL DIMENSIONS IN MM
TOLERANCE OF ± 5MM



FAQ

- What side is the inlet located? **Right hand side**
 Are there any other compatible seats? **No**
 Can this pan be used with a side connection outlet pipe? **Yes**
 Is there a rear floor brace? **No**
 The cistern lid won't shut/the cistern isn't working correctly.
Ensure the inlet and flush valves are set to the correct heights.

TS450S Dimensions	
Seat/Lid front to back	435mm/445mm
Seat/Lid left to right	330mm/345mm
Ring hole front to back	285mm
Ring hole left to right	210mm
Seat overall thickness	47mm
Min/Max adjustment for fixings	55mm-160mm

Technical Data Sheet

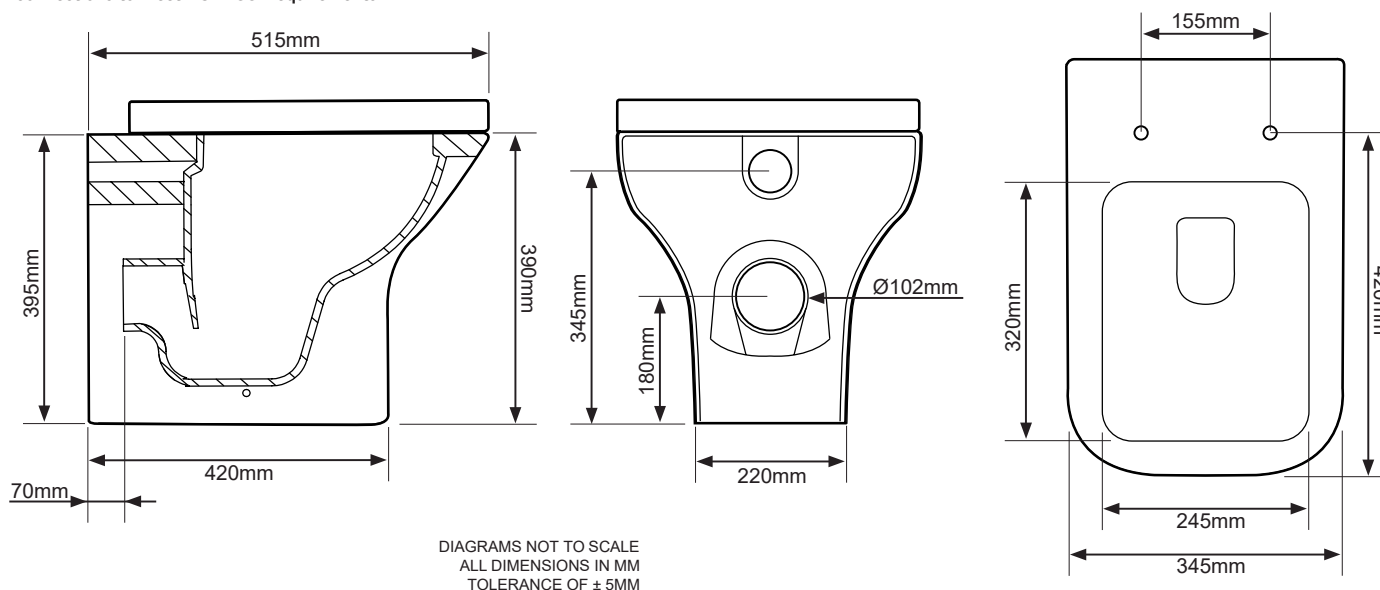
Structure
Back to Wall Pan

TAVISTOCK

No.	Description	Product Code	Fixings Included?	Gross Weight	Net Weight
1	Structure Toilet Seat	TS450S	Yes	--	--
2	Structure Back to Wall Pan	BTW450S	Yes	--	--



All connections to meet BSEN33 Requirements



FAQ

Are there any other compatible seats? **No**

Water runs into pan when flush finished.

Check valve has no debris underneath.

Does the valve open again? (If not the flush bar is draining; if it does, check flush valve is set correctly)

Has flush volume been adjusted?

TS450S Dimensions	
Seat/Lid front to back	435mm/445mm
Seat/Lid left to right	330mm/345mm
Ring hole front to back	285mm
Ring hole left to right	210mm
Seat overall thickness	47mm
Min/Max adjustment for fixings	55mm-160mm

Technical Data Sheet

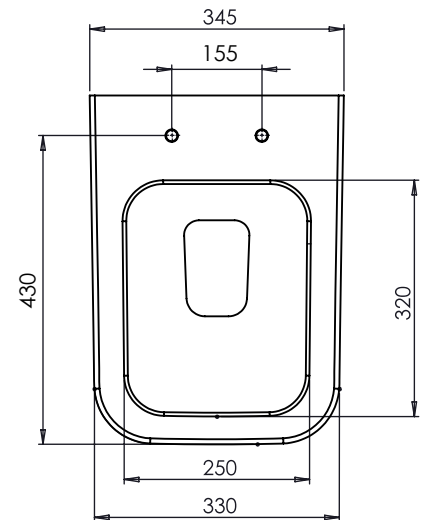
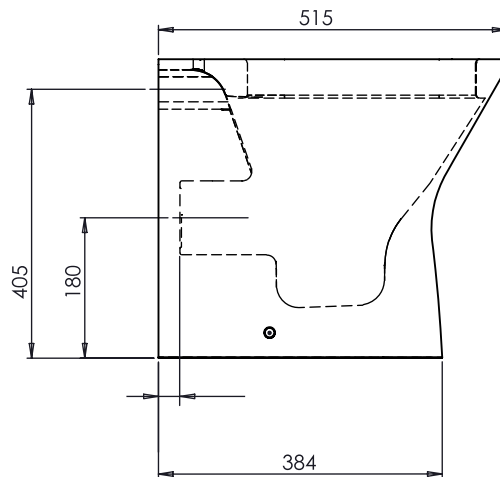
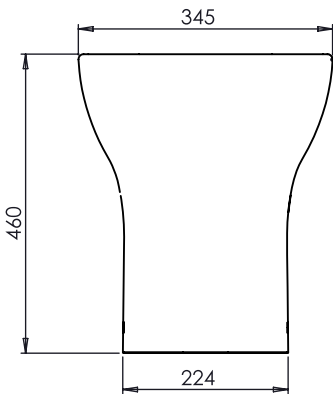
Structure
Comfort Back to Wall Pan

TAVISTOCK

No.	Description	Product Code	Fixings Included?	Gross Weight	Net Weight
1	Structure Toilet Seat	TS450S	Yes	--	--
2	Structure Comfort Back to Wall Pan	BTWC450S	Yes	--	--



All connections to meet BSEN33 Requirements



DIAGRAMS NOT TO SCALE
ALL DIMENSIONS IN MM
TOLERANCE OF ± 5MM

FAQ

Are there any other compatible seats? **No**

Water runs into pan when flush finished.

Check valve has no debris underneath.

Does the valve open again? (If not the flush bar is draining; if it does, check flush valve is set correctly)

Has flush volume been adjusted?

TS450S Dimensions	
Seat/Lid front to back	435mm/445mm
Seat/Lid left to right	330mm/345mm
Ring hole front to back	285mm
Ring hole left to right	210mm
Seat overall thickness	47mm
Min/Max adjustment for fixings	55mm-160mm

Technical Data Sheet

Structure
Comfort Height Fully Enclosed Pan

TAVISTOCK

No.	Description	Product Code	Fixings Included?	Gross Weight	Net Weight
1	Structure Cistern inc. Flush Fitting & Lid	C450S	Yes	--	--
2	Structure Toilet Seat	TS450S	Yes	--	--
3	Structure Comfort Height Fully Enclosed Pan	PC450S	Yes	--	--

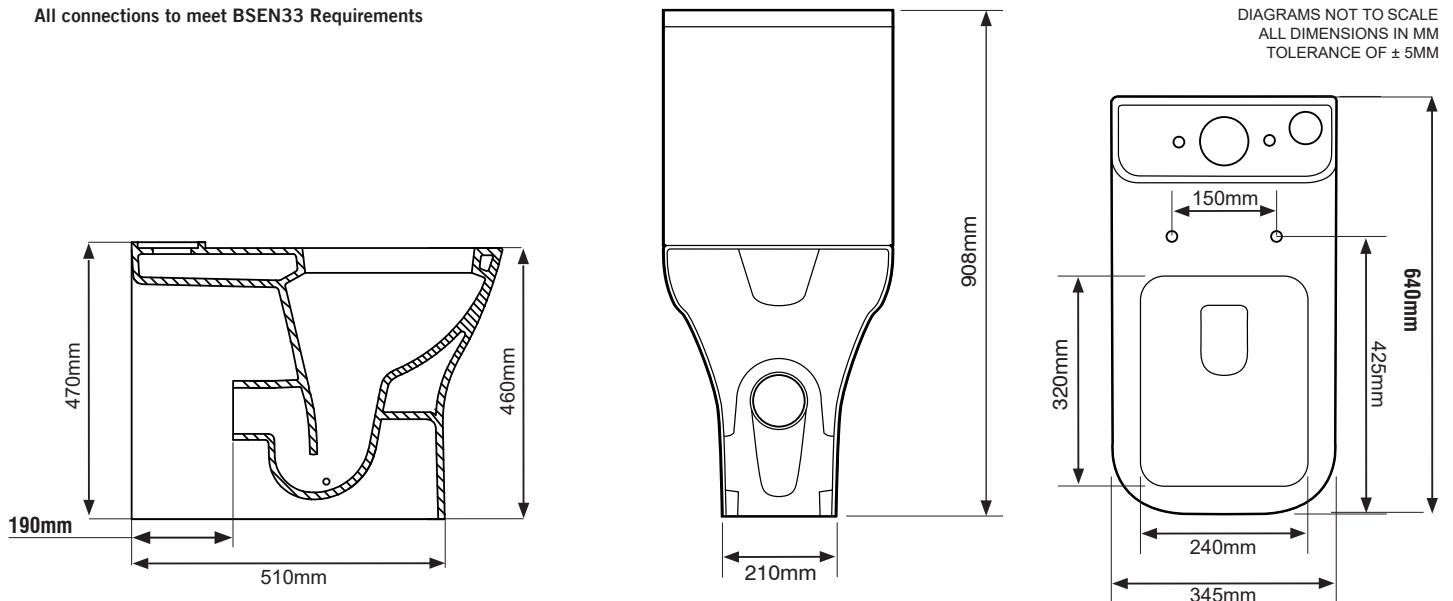


Cistern Settings

Full Flush Volume: 4.5L
Reduced Flush Volume: 3L



All connections to meet BSEN33 Requirements



FAQ

What side is the inlet located? **Right hand side**

Are there any other compatible seats? **No**

Can this pan be used with a side connection outlet pipe? **No**

The cistern lid won't shut/the cistern isn't working correctly.

Ensure the inlet and flush valves are set to the correct heights.

Water runs into pan when flush finished.

Check valve has no debris underneath.

Does the valve open again? (If not the flush bar is draining; if it does, check flush valve is set correctly)

Has flush volume been adjusted?

TS450S Dimensions	
Seat/Lid front to back	435mm/445mm
Seat/Lid left to right	330mm/345mm
Ring hole front to back	285mm
Ring hole left to right	210mm
Seat overall thickness	47mm
Min/Max adjustment for fixings	55mm-160mm

Technical Data Sheet

Structure
Fully Enclosed Close Coupled Pan

TAVISTOCK

No.	Description	Product Code	Fixings Included?	Gross Weight	Net Weight
1	Structure Cistern inc. Flush Fitting & Lid	C450S	Yes	--	--
2	Structure Toilet Seat	TS450S	Yes	--	--
3	Structure Fully Enclosed Close Coupled Pan	PF450S	Yes	--	--



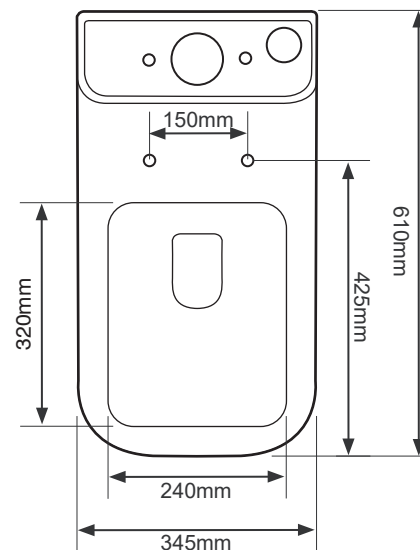
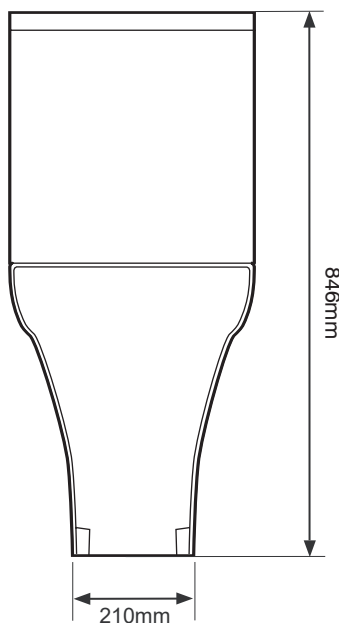
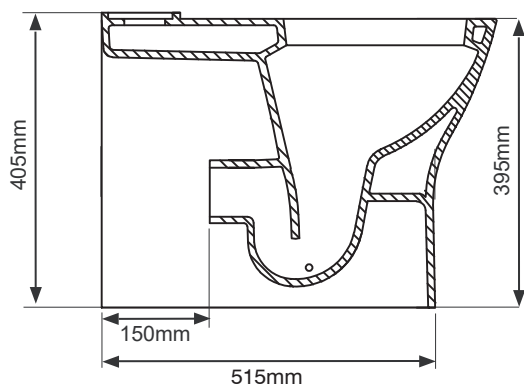
Cistern Settings

Full Flush Volume: 4.5L
Reduced Flush Volume: 3L



All connections to meet BSEN33 Requirements

DIAGRAMS NOT TO SCALE
ALL DIMENSIONS IN MM
TOLERANCE OF ± 5MM



FAQ

What side is the inlet located? **Right hand side**

Are there any other compatible seats? **No**

Can this pan be used with a side connection outlet pipe? **No**

The cistern lid won't shut/the cistern isn't working correctly.

Ensure the inlet and flush valves are set to the correct heights.

PF450S Pan Dimensions	
Front to Back	515mm
Left to Right front	205mm
Left to Right back	225mm
Central width	230mm
Height of inlet centre to floor	400mm

TS450S Dimensions	
Seat/Lid front to back	435mm/445mm
Seat/Lid left to right	330mm/345mm
Ring hole front to back	285mm
Ring hole left to right	210mm
Seat overall thickness	47mm
Min/Max adjustment for fixings	55mm-160mm

Technical Data Sheet

Structure
Wall Hung Pan

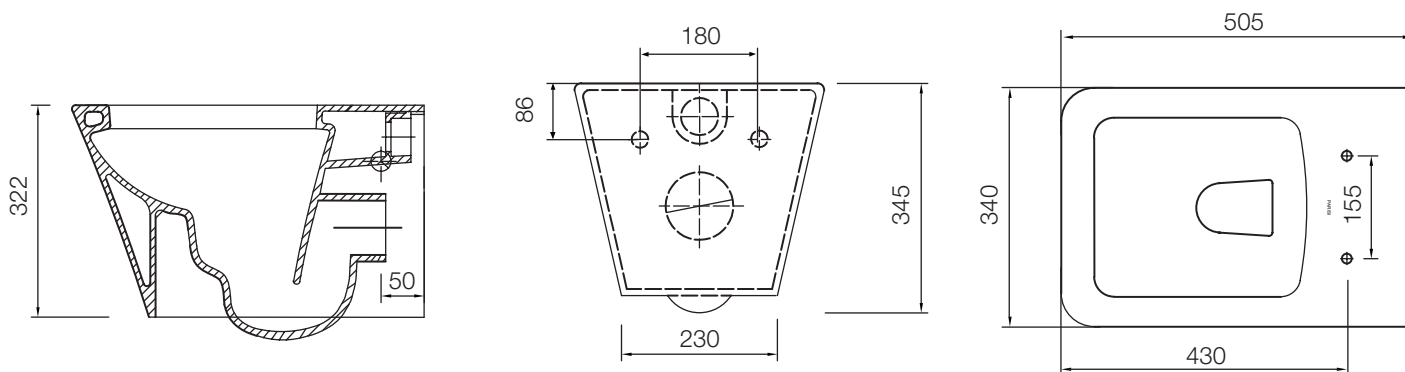
TAVISTOCK

No.	Description	Product Code	Fixings Included?	Gross Weight	Net Weight
1	Structure Slim Toilet Seat	TS451S	Yes	--	--
2	Structure Wall Hung Pan	WH450S	Yes	--	--



All connections to meet BSEN33 Requirements

DIAGRAMS NOT TO SCALE
ALL DIMENSIONS IN MM
TOLERANCE OF ± 5MM



FAQ

Are there any other compatible seats? **Yes TS450S**

The cistern lid won't shut/the cistern isn't working correctly.

Ensure the inlet and flush valves are set to the correct heights.

Water runs into pan when flush finished.

Check valve has no debris underneath.

Does the valve open again? (If not the flush bar is draining; if it does, check flush valve is set correctly)

Has flush volume been adjusted?

Technical Data Sheet

Structure
Slim Basin and Pedestal

TAVISTOCK

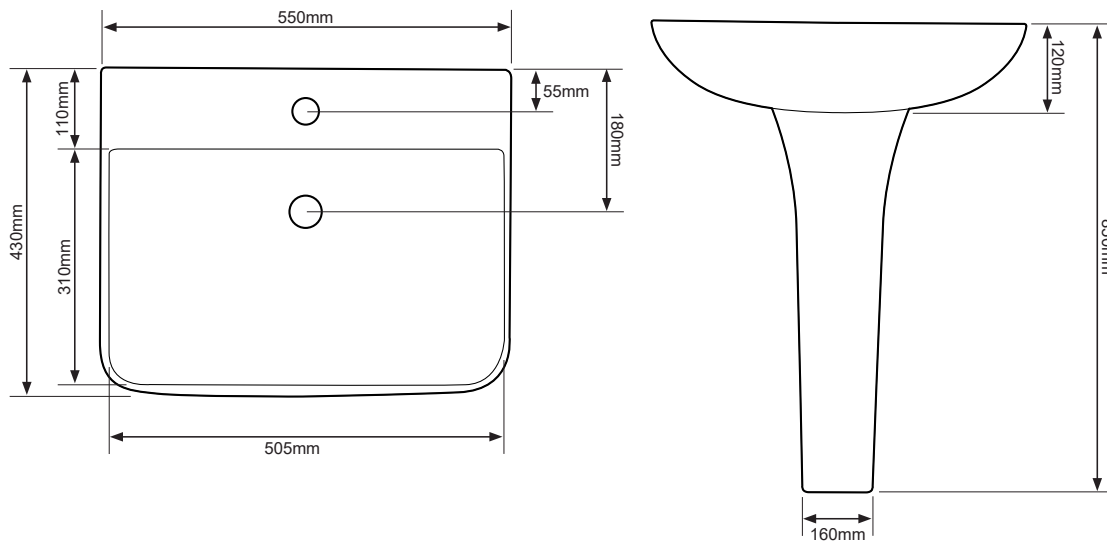
No.	Description	Product Code	Fixings Included?	Gross Weight	Net Weight
1	Structure Slim Basin	SB450S	No	--	--
2	Structure Pedestal	PE450S	No	--	--



Water Depth (Bottom of bowl to the underside of overflow) - **70MM**

All connections to meet BSEN31 Requirements

DIAGRAMS NOT TO SCALE
ALL DIMENSIONS IN MM
TOLERANCE OF ± 5MM



FAQ

Can the basin be wall hung?

Yes, finish with a chrome bottle trap.

Are the wall fixings supplied?

No. Use fixings appropriate to the installation at hand.

How deep is the basin to the overflow?

70mm

What is the distance from the wall when the pedestal is fitted?

85-95mm

PE450S FAQ	Answer
Distance at rear base from wall when fitted MIN	85mm
Distance at rear base from wall when fitted MAX	95mm
Foot front to back depth	140mm
Outside width front	130mm
Outside width back	170mm
Cavity width (pipe fit)	95mm
Cavity depth (pipe fit)	130mm

Technical Data Sheet

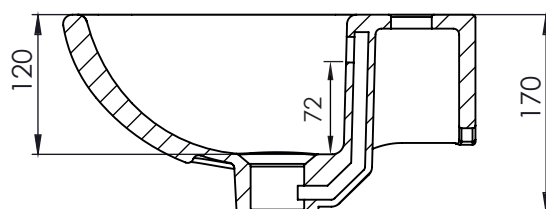
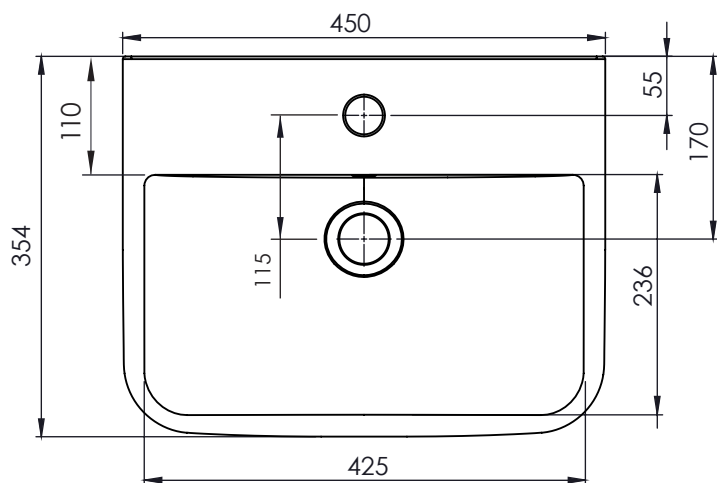
Structure
450mm Wall Hung Basin

TAVISTOCK

No.	Description	Product Code	Fixings Included?	Gross Weight	Net Weight
1	Structure 450mm Basin	SB455S	No	--	--
2	Structure Trap	TRAP6	Yes	--	--



All connections to meet BSEN31 Requirements



FAQ

What is the depth of the basin to the overflow? **72mm**

Are wall fittings supplied? **No, use Fischer or similar suitable fixings for installation.**

Is there a pedestal available? **No, but R2 Nashville Pedestal (NVPED) is compatible**

Technical Data Sheet

Structure
600mm Wall Hung Basin

TAVISTOCK

No.	Description	Product Code	Fixings Included?	Gross Weight	Net Weight
1	Structure 600mm Basin	SB356S	No	--	--
2	Structure Trap	TRAP6	Yes	--	--



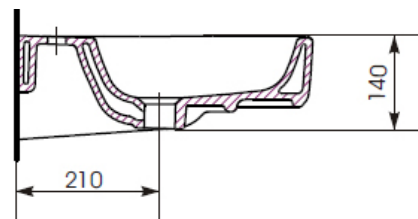
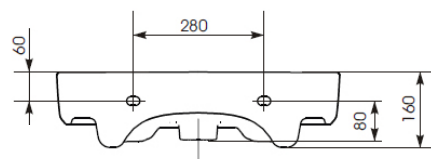
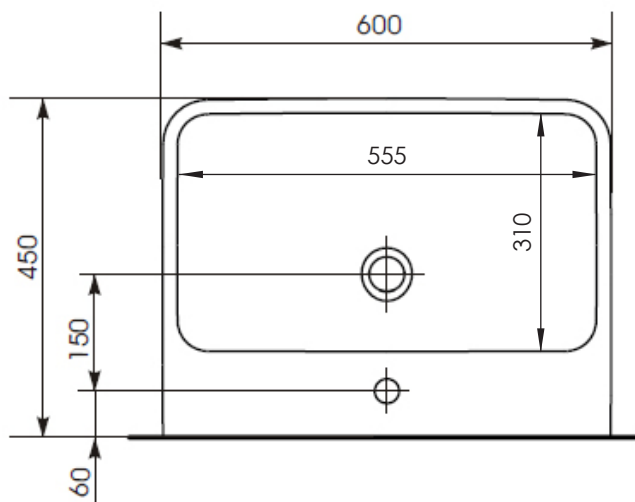
PE350s



SMP350s

Note: Can be wall hung or mounted on the Agenda pedestal or semi-pedestal.

All connections to meet BSEN31 Requirements



FAQ

What is the depth of the basin to the overflow? **60mm**

Are wall fittings supplied? **No, use Fischer or similar suitable fixings for installation.**

PE350S Dimensions: **165mm (w) x 700mm (h) x 170mm (d)**

SMP350S Dimensions: **180mm (w) x 270mm (h) x 310mm (d)**

Technical Data Sheet

Structure
700mm Wall Hung Basin

TAVISTOCK

No.	Description	Product Code	Fixings Included?	Gross Weight	Net Weight
1	Structure 700mm Basin	SB357S	No	--	--
2	Structure Trap	TRAP6	Yes	--	--



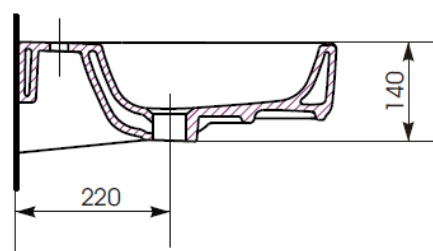
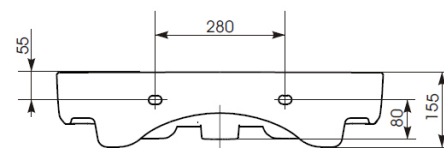
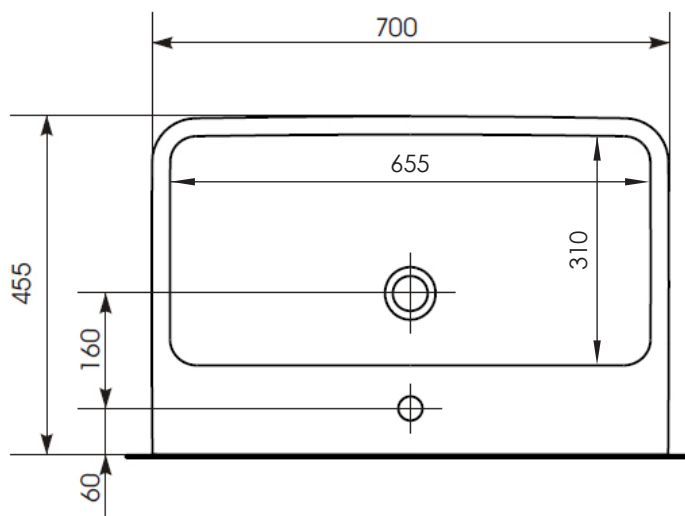
PE350s



SMP350s

Note: Can be wall hung or mounted on the Agenda pedestal or semi-pedestal.

All connections to meet BSEN31 Requirements



FAQ

What is the depth of the basin to the overflow? **70mm**

Are wall fittings supplied? **No, use Fischer or similar suitable fixings for installation.**

PE350S Dimensions: **165mm (w) x 700mm (h) x 170mm (d)**

SMP350S Dimensions: **180mm (w) x 270mm (h) x 310mm (d)**

Technical Data Sheet

Structure
800mm Wall Hung Basin

TAVISTOCK

No.	Description	Product Code	Fixings Included?	Gross Weight	Net Weight
1	Structure 800mm Basin	SB358S	No	--	--
2	Structure Trap	TRAP6	Yes	--	--



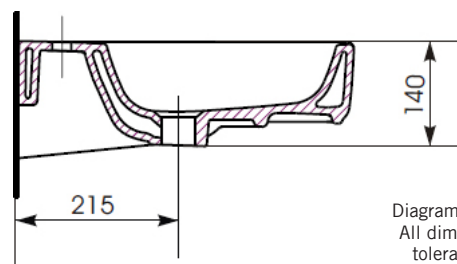
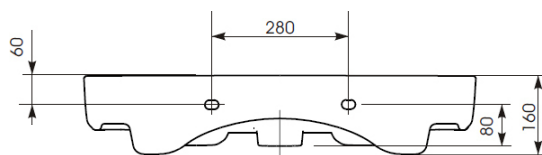
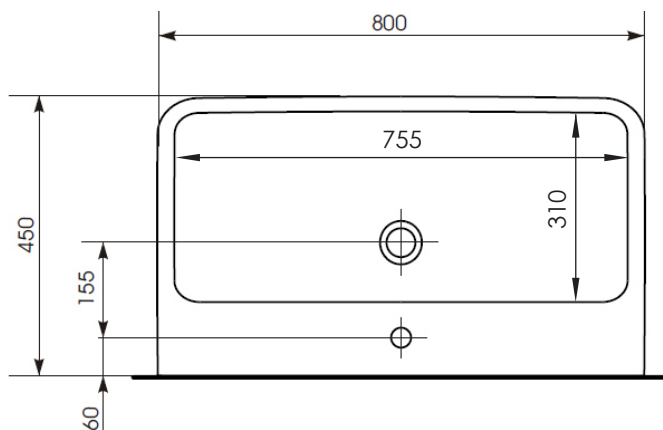
PE350s



SMP350s

Note: Can be wall hung or mounted on the Agenda pedestal or semi-pedestal.

All connections to meet BSEN31 Requirements



Diagrams not to scale
All dimensions in mm
tolerance of +5mm

FAQ

What is the depth of the basin to the overflow? **70mm**

Are wall fittings supplied? **No, use Fischer or similar suitable fixings for installation.**

PE350S Dimensions: **165mm (w) x 700mm (h) x 170mm (d)**

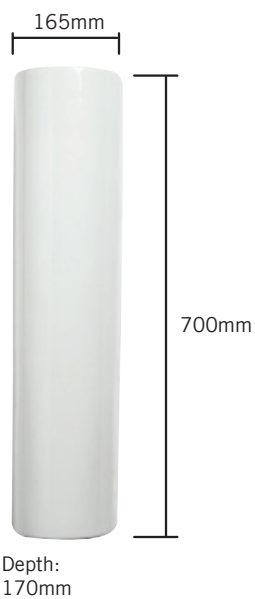
SMP350S Dimensions: **180mm (w) x 270mm (h) x 310mm (d)**

Technical Data Sheet

Structure
Semi Pedestal + Pedestal

TAVISTOCK

No.	Description	Product Code	Fixings Included?	Gross Weight	Net Weight
1	Structure Ceramic Pedestal	PE350S	N/A	--	--
2	Structure Semi Pedestal	SMP350S	Yes	--	--



Diagrams not to scale
All dimensions in mm
tolerance of +5mm

NOTES

Those pedestals are only for use on **SB356S/SB357S/SB358S** basins.
For **SB450S**, use pedestal **PE450S**.

Technical Data Sheet

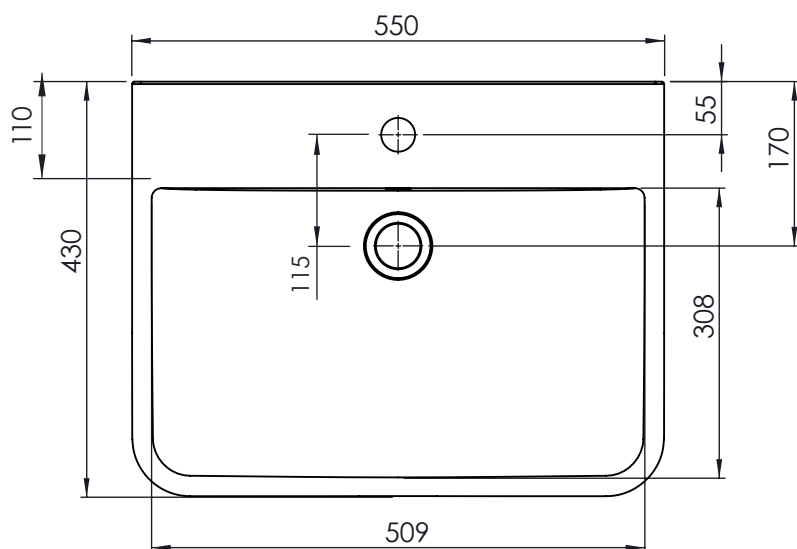
Structure
550 Semi-Countertop Standard Basin

TAVISTOCK

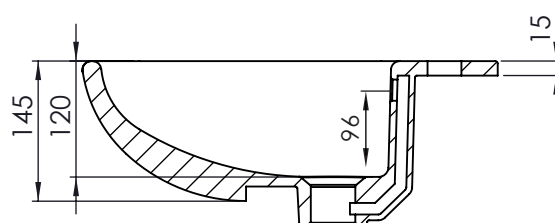
No.	Description	Product Code	Fixings Included?	Gross Weight	Net Weight
1	Structure 550mm Semi-Countertop Standard Basin	SCSB453S	Yes	--	--



All connections to meet BSEN31 Requirements



DIAGRAMS NOT TO SCALE
ALL DIMENSIONS IN MM
TOLERANCE OF ± 5 MM



FAQ

Is there a cutting template supplied? **Yes.**

What is the water depth of the basin? **96mm (to the overflow)**

Technical Data Sheet

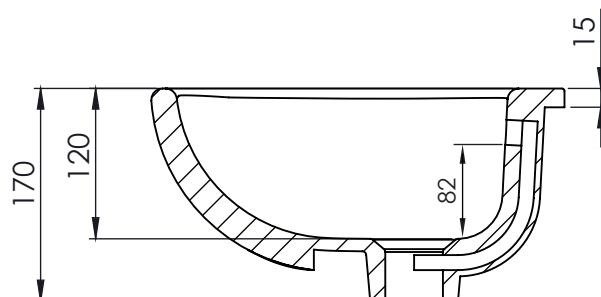
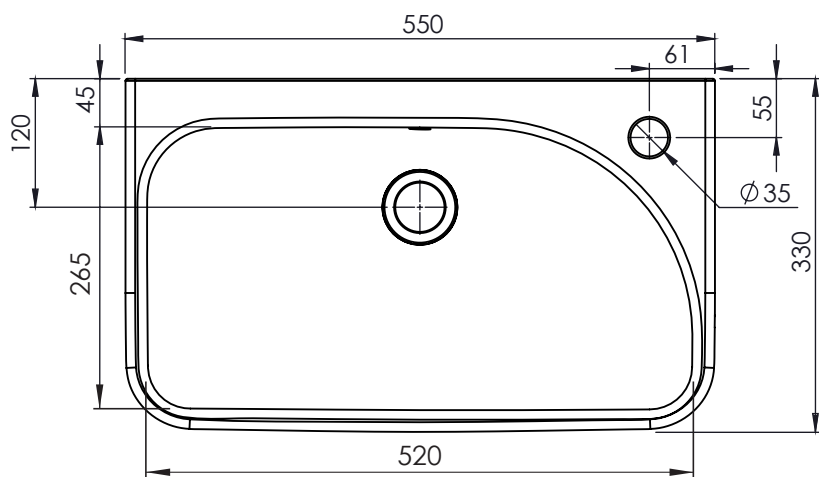
Structure
540 Semi-Countertop Slim Basin

TAVISTOCK

No.	Description	Product Code	Fixings Included?	Gross Weight	Net Weight
1	Structure 540mm Semi-Countertop Slim Basin	SCSB452S	Yes	--	--



All connections to meet BSEN31 Requirements



DIAGRAMS NOT TO SCALE
ALL DIMENSIONS IN MM
TOLERANCE OF ± 5 MM

FAQ

Is there a cutting template supplied? **Yes.**

What is the water depth of the basin? **82mm (to the overflow)**