

Edit L Single Lever Basin Mixer

ILLUSTRATED


BC709 Edit L Rim mounted single lever basin mixer - no waste

ILLUSTRATED PRODUCT DETAILS

Weights

BC709 1.44 KG

Finishes

BC709  Chrome finish (AA)

Materials

BC709 Chrome Plated Metal

Flow rates

BC709 5 Litres per minute @ 3 bar pressure

Designer

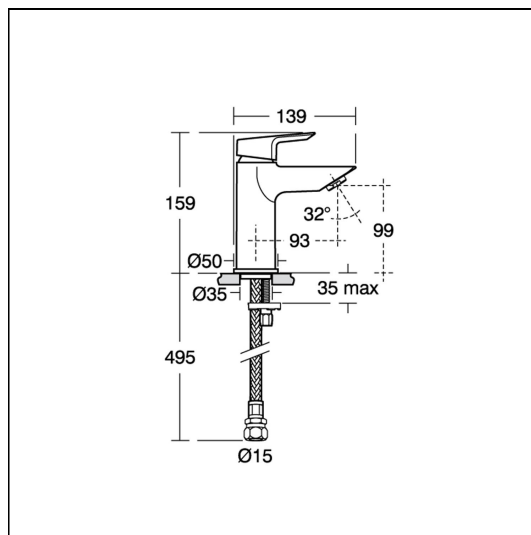
Artefakt Industriekultur

Standards

BS EN817

Special Notes

Suitable for balanced supplies. Inlets with flexible hoses and 15mm compression connections. Factory fitted 5 lpm flow regulator. Consideration should be given to safe hot water delivery and the use of an appropriate temperature reduction device such as A5900AA. Unregulated flow rate 4.7 litres per minute at 0.3 bar.



ACCREDITATIONS



FEATURES

