

Sandringham 21 Washbasin Pillar Taps Lever Handles

ILLUSTRATED

B9881 Sandringham 21 washbasin pillar taps, lever handles

ILLUSTRATED PRODUCT DETAILS

Weights

B9881 1.10 KG

Finishes

B9881  Chrome (AA)

Materials

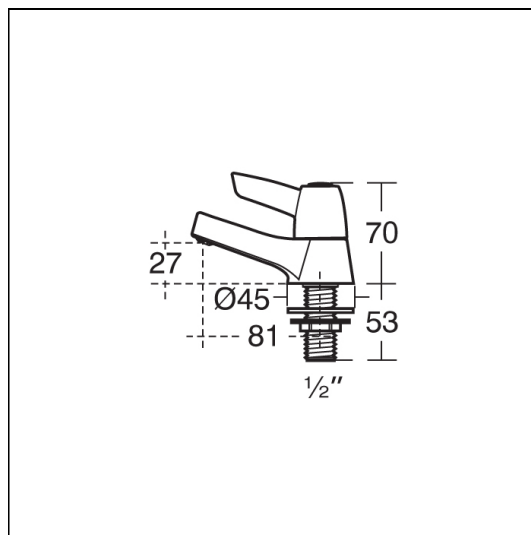
B9881 Chrome Plated Brass

Flow rates

B9881 8 Litres per minute @ 3 bar pressure

Special Notes

Suitable for balanced/unbalanced supplies. Inlets screwed 1/2in BSP male, coned for copper. Consideration should be given to safe hot water delivery and the use of an appropriate temperature reduction device see S7435AA. Water saving can be achieved by use of a flow regulators such as L6935NU to deliver maximum of 4 Litres per minute. Unregulated flow rate 8.2 litres per minute at 0.1 bar.



ACCREDITATIONS

