

Sandringham Sink 1 Taphole Mixer, Single Lever Swivel spout

ILLUSTRATED

B4449 Sandringham sink mixer 1 hole, lever operated with single flow swivel spout

ILLUSTRATED PRODUCT DETAILS

Weights

B4449 2.08 KG

Finishes

B4449  Chrome (AA)

Materials

B4449 Chrome Plated Brass

Flow rates

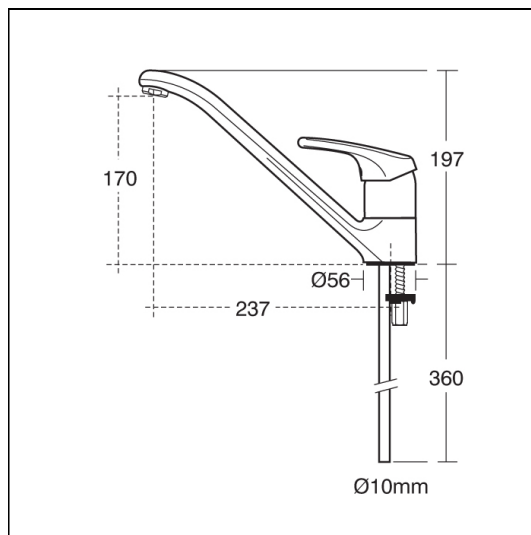
B4449 5 Litres per minute @ 3 bar pressure

Standards

WRAS approved

Special Notes

The CLICK cartridge offers water saving by encouraging the user to only lift open the handle before coming against slight resistance. This resistance informs the user that the fitting is delivering only 50% of its maximum flow potential. Lifting the handle beyond the resistance enables the fitting to deliver at maximum level. The cartridge also features a limiting device that can restrict movement of the handle on the hot side, adding a major safety feature. Inlets with 10mm plain copper tails. Flow rate with fitted regulator 5 litres per minute. Unregulated flow rate 5.8 litres per minute at 0.2 bar.



ACCREDITATIONS

B4449(AA)



FEATURES

