

# Sandringham SL 21 2 hole bath filler

## ILLUSTRATED

**B3309** Sandringham SL 21 2 hole bath filler

### ILLUSTRATED PRODUCT DETAILS

**Weights**

**B3309** 1.68 KG

**Finishes**

**B3309**  Chrome (AA)

**Materials**

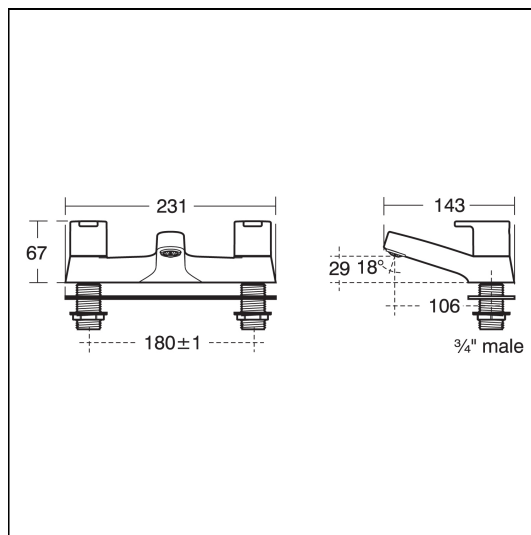
**B3309** Chrome Plated Brass

**Flow rates**

**B3309** 70 Litres per minute @ 3 bar pressure

**Special Notes**

Easy to operate lever handles. Quarter turn ceramic disc valves. Requires separate TMV for safe bathing.



### FEATURES

