

Sandringham SL 21 Basin pillar taps 1/2"

ILLUSTRATED

B3304 Sandringham SL 21 basin pillar taps 1/2" with 4lpm eco flow regulators, pair

ILLUSTRATED PRODUCT DETAILS

Weights

B3304 1.37 KG

Finishes

B3304  Chrome (AA)

Materials

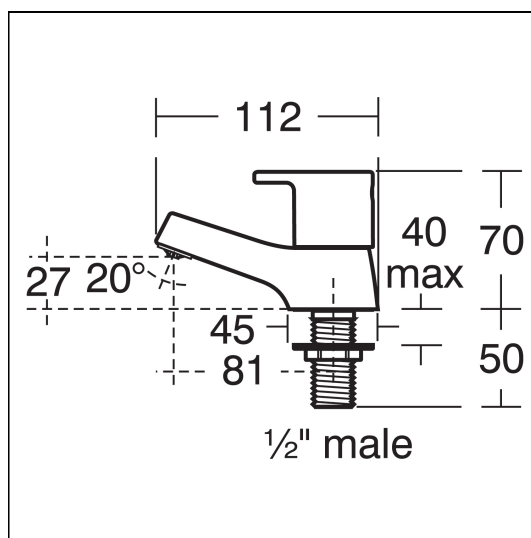
B3304 Chrome Plated Brass

Flow rates

B3304 8 Litres per minute @ 3 bar pressure

Special Notes

Easy to operate lever handles. Quarter turn ceramic disc valves.



FEATURES

