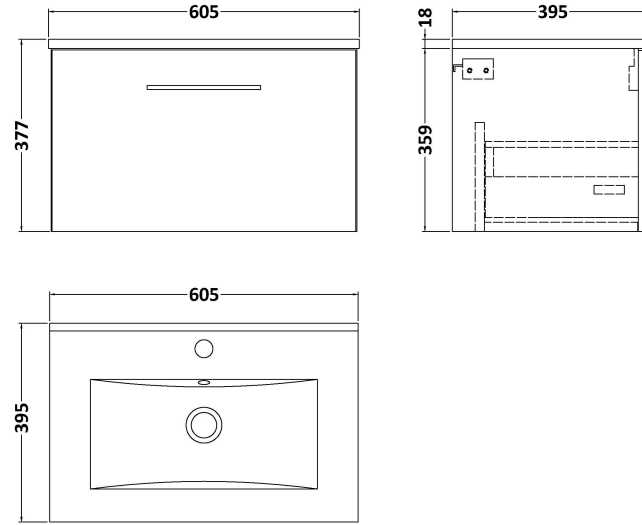


**Sales Code:** ARN522B

**Description:** 600 Wh 1-Drawer Vanity & Basin 2

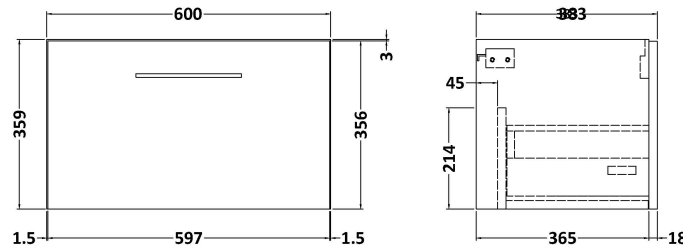


**Packaging Details**

Barcode: 5056462667652

**Sales Code:** NVF522N

**Description:** 600 Single Drawer Unit (365 Deep)



### Product Dimensions

|                   |     |
|-------------------|-----|
| Height (mm):      | 359 |
| Width (mm):       | 600 |
| Depth (mm):       | 383 |
| Nett Weight (kg): | 13  |

### Packaging Dimensions

|                    |      |
|--------------------|------|
| Height (mm):       | 391  |
| Width (mm):        | 632  |
| Depth (mm):        | 391  |
| Gross Weight (kg): | 13.5 |

### Packaging Data

|               |                     |
|---------------|---------------------|
| Box Colour:   | Brown Cardboard Box |
| Box Qty:      | 1                   |
| Label Size:   | 100 x 50            |
| Label Colour: | White Label         |
| Label Qty:    | 2                   |

### Outer Box Dimensions (If Applicable)

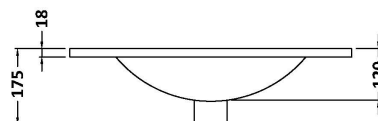
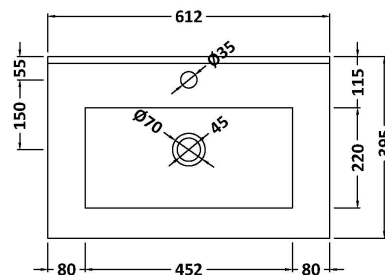
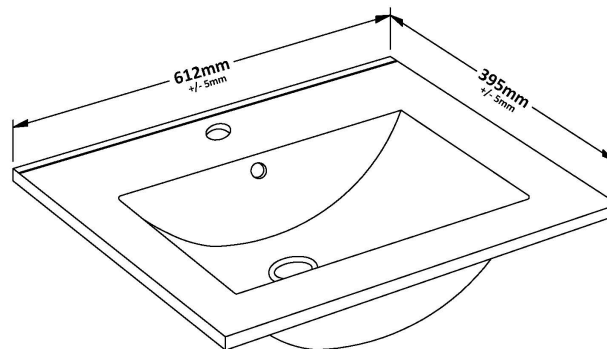
|                    |               |
|--------------------|---------------|
| Height (mm):       |               |
| Width (mm):        |               |
| Depth (mm):        |               |
| Gross Weight (kg): |               |
| Barcode:           | 5056462660837 |

### Product Details

|                          |                                |
|--------------------------|--------------------------------|
| Country of Origin:       | United Kingdom                 |
| Fitting Instruction:     | No                             |
| CE Certification:        | N/A                            |
| FSC Certified Materials: | Yes                            |
| Colour:                  | Anthracite Woodgrain           |
| Construction Method:     | Cam & Wood Dowel               |
| Construction Type:       | Rigid                          |
| Cabinet Finish:          | MFC Textured Woodgrain         |
| Fascia Finish:           | MFC Textured Woodgrain         |
| Cabinet Thickness (mm):  | 18                             |
| Fascia Thickness (mm):   | 18                             |
| Drawer Included:         | Yes                            |
| Drawer Type:             | 80mm High Metal S/C Inc Galler |
| No of Shelves:           | 0                              |
| Hinge Type:              | Not Applicable                 |
| Hinge Included:          | Not Applicable                 |
| Adjustable Legs:         | No, Not Required               |
| Fixings Included:        | Yes                            |
| Handle Style:            | Contemporary                   |
| Waste Shroud:            | Yes                            |
| Handle Included:         | Yes, Supplied                  |
| Handle Type:             | D-Shape                        |

Sales Code: NVM003

Description: Minimalist Basin 600mm



### Product Dimensions

|                   |       |
|-------------------|-------|
| Height (mm):      | 170   |
| Width (mm):       | 600   |
| Depth (mm):       | 390   |
| Nett Weight (kg): | 10.76 |

### Packaging Dimensions

|                    |       |
|--------------------|-------|
| Height (mm):       | 200   |
| Width (mm):        | 400   |
| Depth (mm):        | 620   |
| Gross Weight (kg): | 10.76 |

### Packaging Data

|               |                               |
|---------------|-------------------------------|
| Box Colour:   | Brown Cardboard Box - Printed |
| Box Qty:      | 1                             |
| Label Size:   | 100 x 50                      |
| Label Colour: | White Label                   |
| Label Qty:    | 2                             |

### Outer Box Dimensions (If Applicable)

|                    |               |
|--------------------|---------------|
| Height (mm):       |               |
| Width (mm):        |               |
| Depth (mm):        |               |
| Gross Weight (kg): |               |
| Barcode:           | 5055146194668 |

### Product Details

|                      |                               |
|----------------------|-------------------------------|
| Country of Origin:   | China                         |
| Fitting Instruction: | No                            |
| Certification:       | CE: No WRAS: N/A WRAS No: N/A |
| Product Material:    | Vitreous China                |
| Fixing Supplied:     | No                            |

**Pans/Bidets:** Trap Style: Not Applicable Includes Seat: Not Applicable

**Seats:** Seat Type: Not Applicable Material: Not Applicable  
Function: Not Applicable Hinge Type: Not Applicable  
Hinge Material: Not Applicable

**Cisterns:** Operating Type: Not Applicable Fittings: Not Applicable  
Lever Type: Not Applicable

**Basins:** Tap Hole: One Taphole Chain Stay Hole: No  
Template: Not Required Waste Type Req: Slotted  
Overflow Inc: Yes Overflow Cover: Yes  
Inner Bowl Depth (mm): 130mm