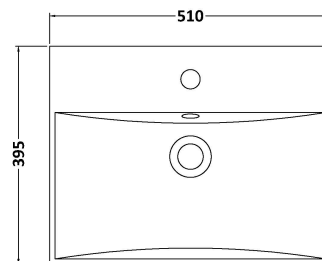
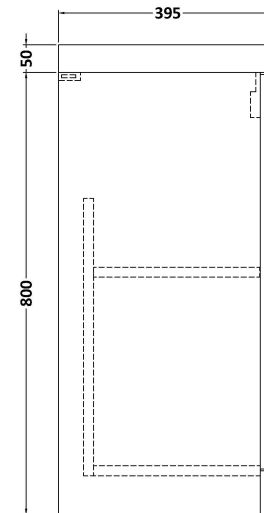
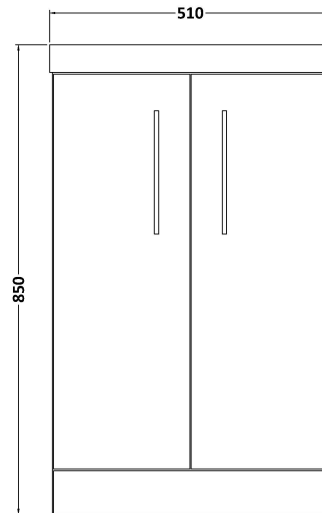


Sales Code: ARN1701D

Description: 500 Fs 2-Door Vanity & Basin 3

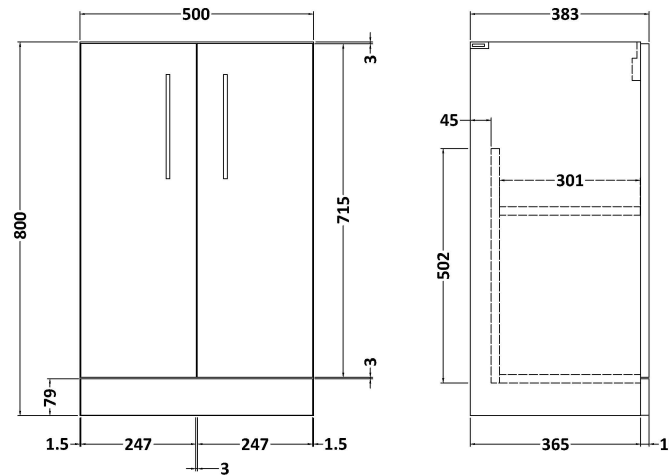


### Packaging Details

Barcode: 5056462615943

Sales Code: NVF1701

Description: 500 Fs 2-Door Unit (365 Deep)



### Product Dimensions

|                   |      |
|-------------------|------|
| Height (mm):      | 800  |
| Width (mm):       | 500  |
| Depth (mm):       | 383  |
| Nett Weight (kg): | 16.5 |

### Packaging Dimensions

|                    |     |
|--------------------|-----|
| Height (mm):       | 835 |
| Width (mm):        | 520 |
| Depth (mm):        | 375 |
| Gross Weight (kg): | 17  |

### Packaging Data

|               |                     |
|---------------|---------------------|
| Box Colour:   | Brown Cardboard Box |
| Box Qty:      | 1                   |
| Label Size:   | 100 x 50            |
| Label Colour: | White Label         |
| Label Qty:    | 2                   |

### Outer Box Dimensions (If Applicable)

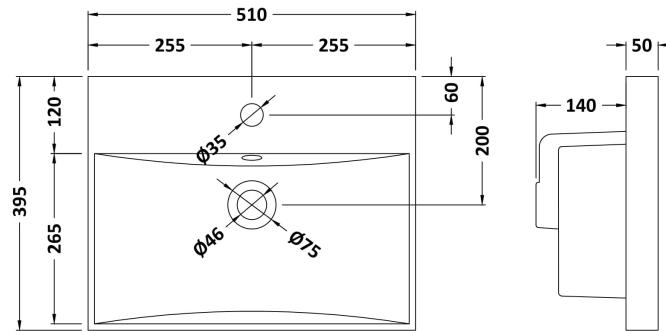
|                    |              |
|--------------------|--------------|
| Height (mm):       |              |
| Width (mm):        |              |
| Depth (mm):        |              |
| Gross Weight (kg): |              |
| Barcode:           | 505646261181 |

### Product Details

|                          |                              |
|--------------------------|------------------------------|
| Country of Origin:       | United Kingdom               |
| Fitting Instruction:     | No                           |
| CE Certification:        | N/A                          |
| FSC Certified Materials: | Yes                          |
| Colour:                  | Electric Blue                |
| Construction Method:     | Cam & Wood Dowel             |
| Construction Type:       | Rigid                        |
| Cabinet Finish:          | MFC Smooth Matt              |
| Fascia Finish:           | MFC Smooth Matt              |
| Cabinet Thickness (mm):  | 18                           |
| Fascia Thickness (mm):   | 18                           |
| Drawer Included:         | No                           |
| Drawer Type:             | Not Applicable               |
| No of Shelves:           | 1                            |
| Hinge Type:              | 95 Degree Clip-On Soft Close |
| Hinge Included:          | Yes, Supplied                |
| Adjustable Legs:         | No, Not Required             |
| Fixings Included:        | Yes                          |
| Handle Style:            | Contemporary                 |
| Waste Shroud:            | No                           |
| Handle Included:         | Yes, Supplied                |
| Handle Type:             | D-Shape                      |

Sales Code: NVM032

Description: 500 Thin Edged Basin 1Th



### Product Dimensions

|                   |     |
|-------------------|-----|
| Height (mm):      | 170 |
| Width (mm):       | 510 |
| Depth (mm):       | 395 |
| Nett Weight (kg): | 9.5 |

### Packaging Dimensions

|                    |     |
|--------------------|-----|
| Height (mm):       | 190 |
| Width (mm):        | 530 |
| Depth (mm):        | 415 |
| Gross Weight (kg): | 10  |

### Packaging Data

|               |                               |
|---------------|-------------------------------|
| Box Colour:   | Brown Cardboard Box - Printed |
| Box Qty:      | 1                             |
| Label Size:   | 100 x 50                      |
| Label Colour: | White Label                   |
| Label Qty:    | 2                             |

### Outer Box Dimensions (If Applicable)

|                    |               |
|--------------------|---------------|
| Height (mm):       |               |
| Width (mm):        |               |
| Depth (mm):        |               |
| Gross Weight (kg): |               |
| Barcode:           | 5056211853411 |

### Product Details

|                      |                               |
|----------------------|-------------------------------|
| Country of Origin:   | China                         |
| Fitting Instruction: | No                            |
| Certification:       | CE: No WRAS: N/A WRAS No: N/A |
| Product Material:    | Vitreous China                |
| Fixing Supplied:     | No                            |

**Pans/Bidets:** Trap Style: Not Applicable Includes Seat: Not Applicable

**Seats:** Seat Type: Not Applicable Material: Not Applicable  
Function: Not Applicable Hinge Type: Not Applicable  
Hinge Material: Not Applicable

**Cisterns:** Operating Type: Not Applicable Fittings: Not Applicable  
Lever Type: Not Applicable

**Basins:** Tap Hole: One Taphole Chain Stay Hole: No  
Template: Not Required Waste Type Req: Slotted  
Overflow Inc: Yes Overflow Cover: Yes  
Inner Bowl Depth (mm): 125mm