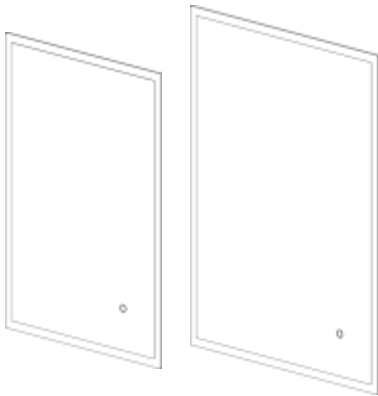


## Technical Data Sheet

### AMBIENT



#### Box Contents:

Ambient Mirror | 2x wall plugs | 2x screws | Instructions booklet

#### Materials

*Frame Material:* Extruded Aluminium

*Glass:* 5mm PVC Backed

FAQ's:	Units	AMB050	AMB060
Can the mirror be hung landscape?	-	Yes	
What is the thickness of the mirror glass?	mm	5	
Is the mirror IP44 rated?	-	Yes – Suitable for use in bathroom zone 2	
What size fuse should I use?	-	Seek the advice of an electrician	
What is the total power consumption?	W	69	90
Does the mirror have an energy rating?	-	Yes – It has an energy rating of: A	
What is the colour of the light and the Kelvin rating?	K	3000 - 6500	
What is the wattage of the lights?	W	43	55
Where is the IR sensor/rocker switch located?	-	Front bottom right	
Can the LED lighting be replaced?	-	No	
Can the touch sensor be replaced?	-	Yes	
What is the output of the demister pad?	W	26	35
What are the dimensions of the demister pad? (L x W)	mm	230 x 450	310 x 450
How do I turn on the demister pad?	-	The demister pad will turn on when the LEDs are turned on.	
Are illuminated mirrors supplied with mains cable?	-	All illuminated mirrors are supplied with a removeable 500mm mains cable. There is ample storage for excess cable in the back of the unit.	

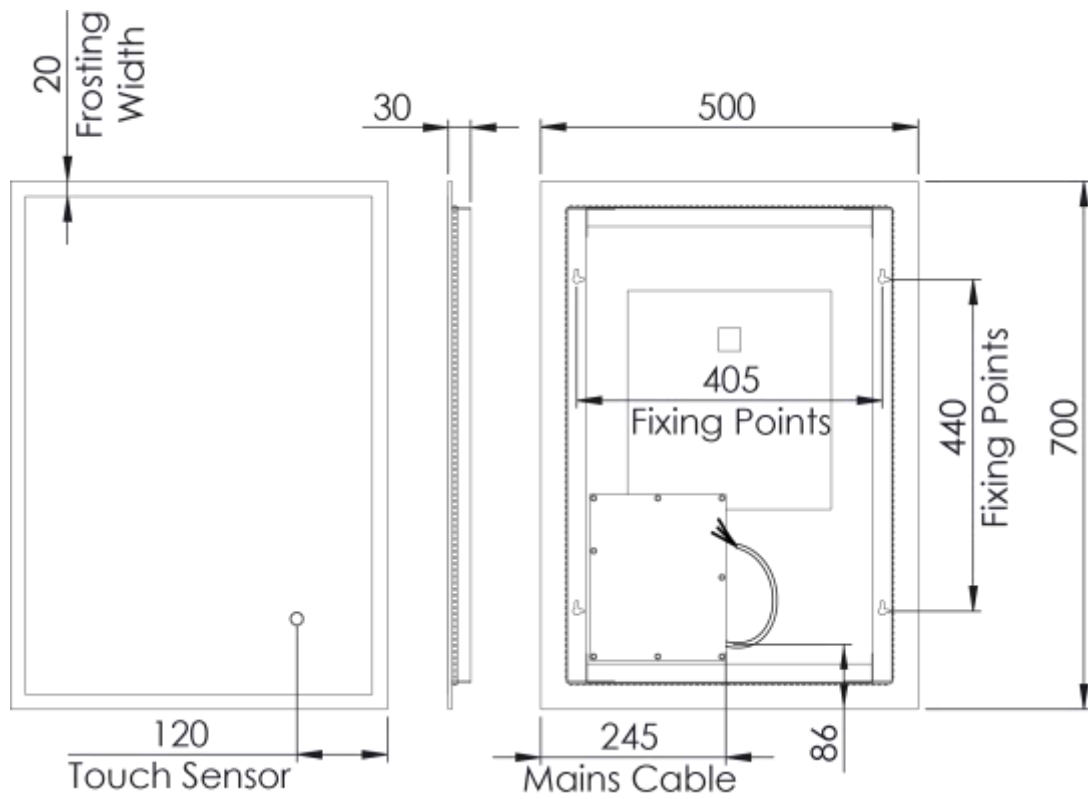
### 10 Year Guarantee

We have complete confidence in this Tavistock bathroom Mirror and as such it is offered with a 10-year guarantee against defects in manufacture. The electronics are covered by our 2-year guarantee. In the unlikely event that this product should fail during the guarantee period we will either replace the faulty part or the complete unit as appropriate.

\*Dimensions are subject to change, customers are advised to measure actual product before commencing installation.

\*\*Fixing point dimensions are for guidance only/the positions of wall fixing must be checked when product is received.

## AMB050



## AMB060

