

Markwik 21+ 2 Hole Thermostatic Basin Mixer

ILLUSTRATED

A6734 Markwik 21+ 2 hole thermostatic basin mixer, single sequential lever, demountable

OPTIONS

A6898 Markwik 21+ purging kit for 2 hole thermostatic mixers

ILLUSTRATED PRODUCT DETAILS

Weights

A6734 4.00 KG

Finishes

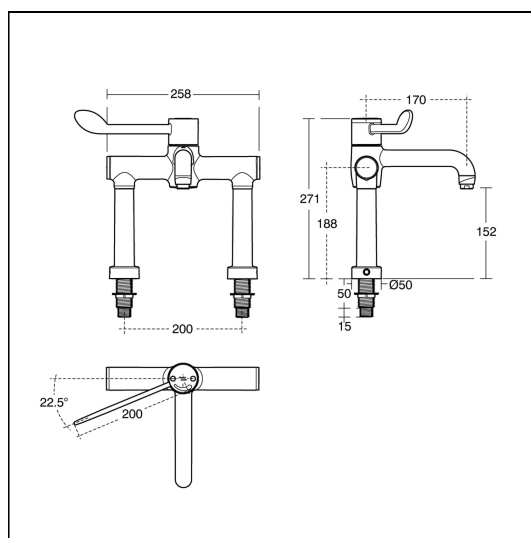
A6734  Chrome (AA)

Materials

A6734 Chrome Plated Brass

Special Notes

Single lever for on/off operation and temperature control. Fitted with an Armitage Bioguard outlet which reduces the opportunity for biofilm attachment and is lined with antimicrobial copper. Unique built-in thermal disinfection cleansing feature. Body demounts for submergible disinfection. Suitable for high and low pressure systems. Flow rate regulated to maximum of 10 litres per minute. A separate purging kit is available to facilitate initial installation flushing and water sampling.



ACCREDITATIONS



FEATURES

