

Contour 21+ 1 Hole Thermostatic Basin Mixer with Flexible Tails

ILLUSTRATED

A6698 (TP6) Contour 21+ 1 hole thermostatic basin mixer, single sequential lever with flexible tails

ILLUSTRATED PRODUCT DETAILS

Weights

A6698 2.10 KG

Finishes

A6698  Chrome (AA)

Materials

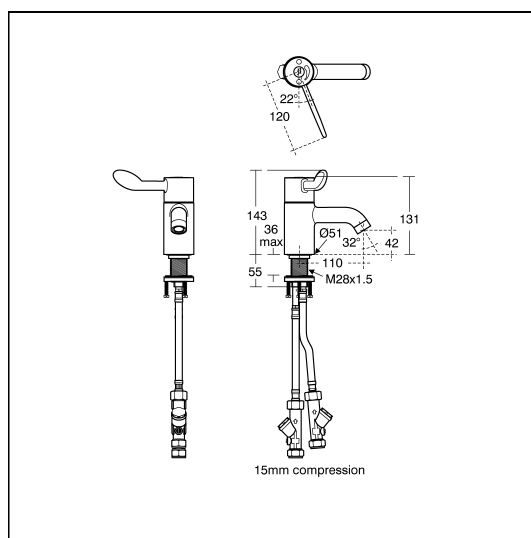
A6698 Chrome Plated Brass

Flow rates

A6698 3.9 Litres per minute @ 3 bar pressure

Special Notes

Single sequential lever for on/off operation and temperature control. Supplied with service valves which include isolators, strainers, check valves which include isolators, strainers, check valves, flow regulators and 15mm compression connections. Temperature factory set to $40 \pm 1^\circ\text{C}$. Suitable for high and low pressure systems. Factory fitted 3.8 litres per minute flow regulator in an anti-vandal housing. 1.9 litres per minute Eco spray outlet also supplied. Clamping ring with three fixing screws for added security.



ACCREDITATIONS



FEATURES

