

# Contour 21+ 1 Hole Thermostatic Basin Mixer with Copper Tails

## ILLUSTRATED

**A6697** (TP6) Contour 21+ 1 hole thermostatic basin mixer, single sequential lever with copper tails

### ILLUSTRATED PRODUCT DETAILS

#### Weights

**A6697** 2.10 KG

#### Finishes

**A6697**  Chrome (AA)

#### Materials

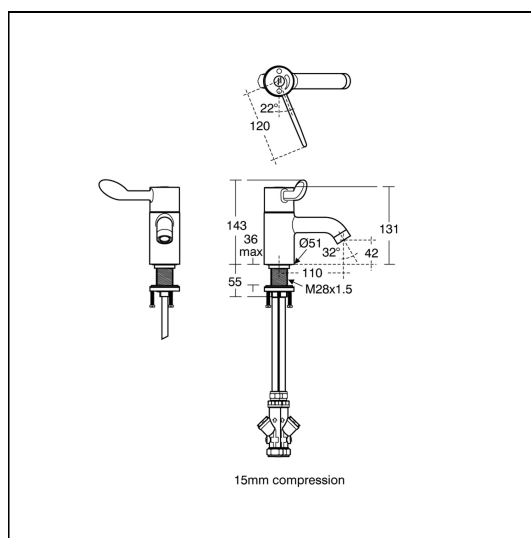
**A6697** Chrome Plated Brass

#### Flow rates

**A6697** 3.9 Litres per minute @ 3 bar pressure

#### Special Notes

Single sequential lever for on/off operation and temperature control. Supplied with service valves which include isolators, strainers, check valves, flow regulators and 15mm compression connections. Temperature factory set to  $40 \pm 1^\circ\text{C}$ . Suitable for high and low pressure systems. Factory fitted 3.8 litres per minute flow regulator in an anti-vandal housing. 1.9 litres per minute Eco spray outlet also supplied. Clamping ring with three fixing screws for added security.



### ACCREDITATIONS



### FEATURES

