

Markwik 21+ Panel Mounted Thermostatic Basin Mixer, Sequential lever with Removable Spout

ILLUSTRATED

A6682 (TB H2A) Markwik 21+ panel mounted thermostatic basin mixer, single sequential lever, demountable with removable spout

OPTIONS

A6899 Markwik 21+ purging kit for panel mounted thermostatic mixers

ILLUSTRATED PRODUCT DETAILS

Weights

A6682 3.60 KG

Finishes

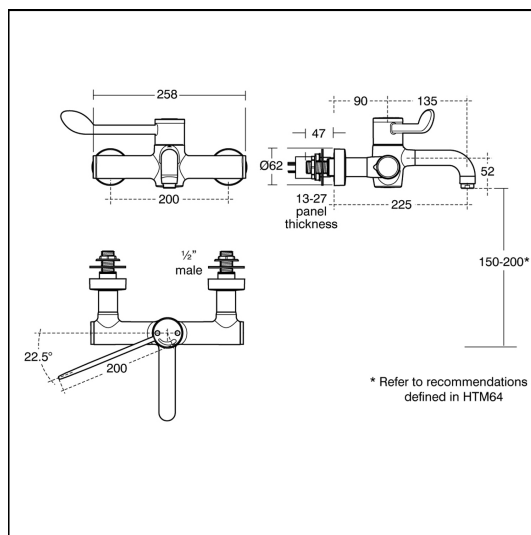
A6682  Chrome (AA)

Materials

A6682 Chrome Plated Brass

Special Notes

Single lever for on/off operation and temperature control. Especially suited to medium and large hospital pattern integral back outlet basins and washing associated with clinical or nursing procedures. Fitted with an Armitage Bioguard outlet which reduces the opportunity for biofilm attachment and is lined with anti-microbial copper. Unique built-in thermal disinfection cleansing feature. Spout is removable for autoclave sterilisation. Body demounts for submergible disinfection. Suitable for high and low pressure systems. Flow rate regulated to maximum of 10 litres per minute. A separate purging kit is available to facilitate initial installation flushing and water sampling.



ACCREDITATIONS



FEATURES

