

Sensorflow 21 Urinal Flush Sensor, Surface Mounted, Mains

ILLUSTRATED

A4856 Sensorflow 21 urinal flush, surface mounted, mains

OPTIONS

A4857 Sensorflow 21 urinal flush, surface mounted, link

ILLUSTRATED PRODUCT DETAILS

Weights

A4856 1.50 KG

Finishes

A4856  Chrome (AA)

Materials

A4856 Chrome Plated Brass

FINISH OPTIONS



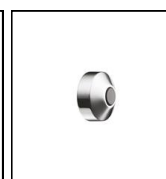
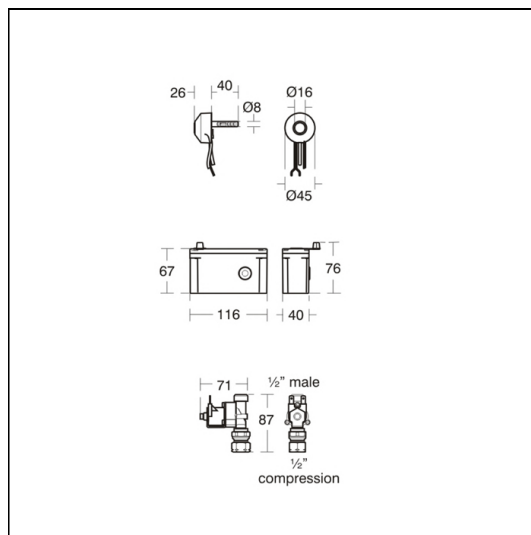
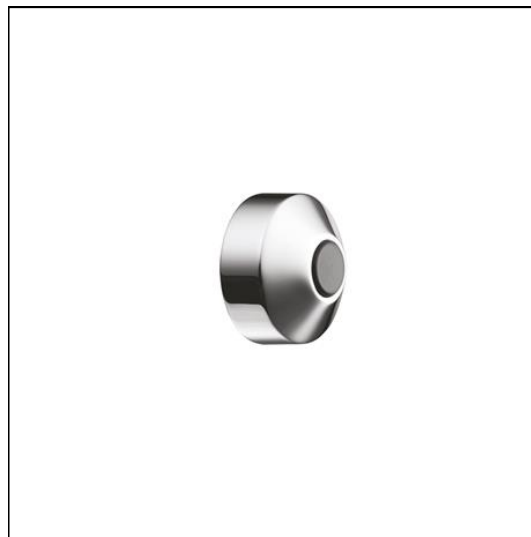
(AA) Chrome



(GN) Ultra Steel

Special Notes

For mains water flushing of boxed rim or concealed inlet urinals, not via auto cistern. A check valve (not supplied) will also be required. Suitable for water systems from 1bar to 6bar.



FEATURES

