

Sensorflow 21 Compact Washbasin Spout Integral Sensor, Link

ILLUSTRATED

A4853 Sensorflow 21 compact washbasin mounted spout integral sensor servicing valve and filter, copper tube inlets, link

ILLUSTRATED PRODUCT DETAILS

Weights

A4853 1.50 KG

Finishes

A4853  Chrome (AA)

Materials

A4853 Chrome Plated Brass

Flow rates

A4853 3.7 Litres per minute @ 3 bar pressure

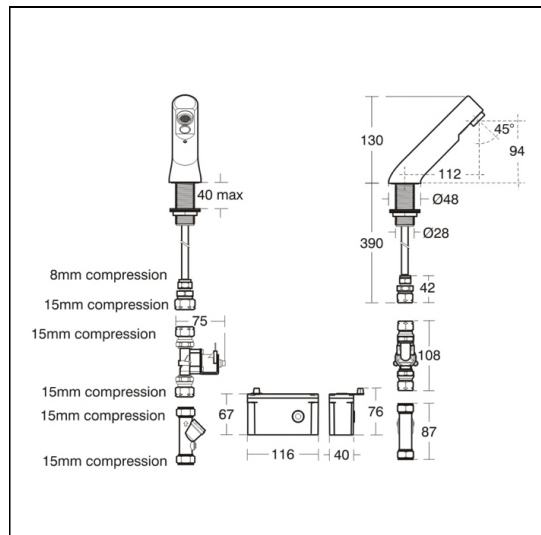
FINISH OPTIONS

 (AA) Chrome

 (GN) Ultra Steel

Special Notes

All spouts supplied complete with individual solenoid valve, copper tube inlet and combined servicing valve and filter. Consideration should be given to safe hot water delivery and the use of an appropriate temperature reduction device see A5900. Spouts with integral sensors detect hands within the sensing range and the solenoid valve is opened. Automatically shuts off if sensor is obstructed for a maximum of 50 seconds. Must link to a mains version A4852 alternatively there are stand alone battery powered units. Flow rate regulated to 3.7 Litres per minute.



ACCREDITATIONS

A4853(AA)



3.70 Litres Per Minute



1210027

FEATURES

