

Sensorflow 21 Compact Washbasin Spout Integral Sensor, Battery

ILLUSTRATED

A4851 Sensorflow 21 compact washbasin mounted spout integral sensor servicing valve and filter, copper tube inlets, battery

ILLUSTRATED PRODUCT DETAILS

Weights

A4851 1.55 KG

Finishes

A4851  Chrome (AA)

Materials

A4851 Chrome Plated Brass

Flow rates

A4851 4.7 Litres per minute @ 3 bar pressure

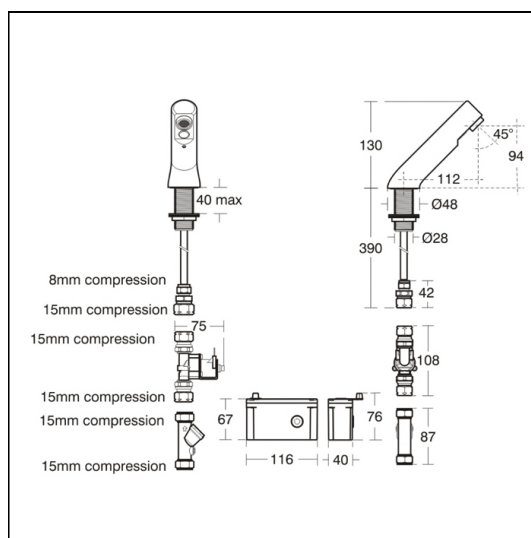
FINISH OPTIONS



Special Notes

All spouts supplied complete with individual solenoid valve, copper tube inlet and combined servicing valve and filter. Consideration should be given to safe hot water delivery and the use of an appropriate temperature reduction device see A5900. Spouts with integral sensors detect hands within the sensing range and the solenoid valve is opened. Automatically shuts off if sensor is obstructed for a maximum of 50 seconds. Stand alone battery powered unit.

Flow rates, regulated to 5 Litres per minute or optional flow straightener outlet 2 Litres per minute @ 0.1 bar



ACCREDITATIONS

A4851(AA)



4.70 Litres Per Minute



1210027

FEATURES

