

Sensorflow 21 Washbasin Small Spout Electronic Sensor, Battery

ILLUSTRATED

A4664 Sensorflow 21 washbasin mounted spout with integral sensor and copper tube inlets, servicing valves and filter, battery

ILLUSTRATED PRODUCT DETAILS

Weights

A4664 2.92 KG

Finishes

A4664  Chrome (AA)

Materials

A4664 Chrome Plated Brass

Flow rates

A4664 4.7 Litres per minute @ 3 bar pressure

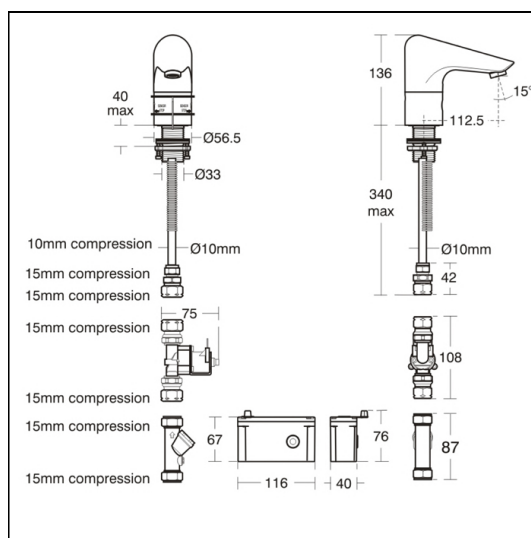
FINISH OPTIONS



Special Notes

Designed to be supplied with pre-mixed water. Consideration should be given to safe hot water delivery and the use of an appropriate temperature reduction device see A5900. The sensor is set to work in the normal handwashing position. All spouts supplied complete with individual solenoid valve, copper tube inlet and combined servicing valve and filter. Spouts with integral sensors detect hands within the sensing range and the solenoid valve is opened. Automatically shuts off if sensor is obstructed for a maximum of 55 seconds. Stand alone battery powered unit.

Flow rates, regulated to 5 Litres per minute or optional flow straightener outlet 2.6 Litres per minute @ 0.1 bar



ACCREDITATIONS

A4664(AA)



FEATURES

