

Sensorflow 21 Electronic Concealed Shower Valve & Sensor, Link

ILLUSTRATED

A4186 Sensorflow 21 Electronic concealed shower valve and sensor, link box

ILLUSTRATED PRODUCT DETAILS

Weights

A4186 1.60 KG

Finishes

A4186  Chrome (AA)

Materials

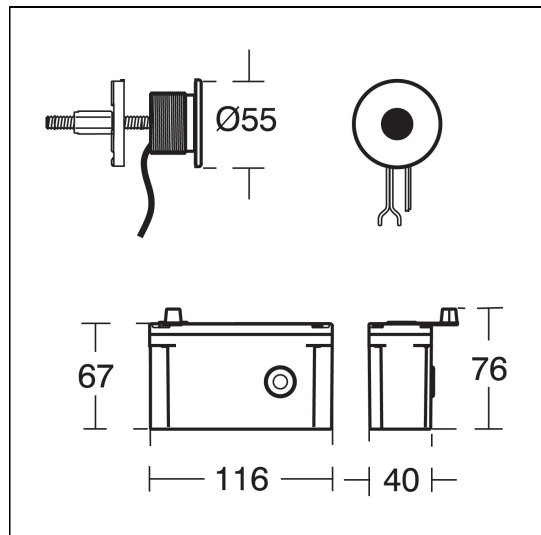
A4186 Chrome Plated Brass

Flow rates

A4186 4.7 Litres per minute @ 3 bar pressure

Special Notes

Designed to be supplied with pre-mixed water and consideration should be given to safe hot water delivery and the use of an appropriate temperature reduction device



FEATURES

