

Sensorflow 21 Electronic Concealed Shower Valve & Sensor, Mains

ILLUSTRATED

A4185 Sensorflow 21 Electronic concealed shower valve and sensor, mains transformer

ILLUSTRATED PRODUCT DETAILS

Weights

A4185 1.60 KG

Finishes

A4185  Chrome (AA)

Materials

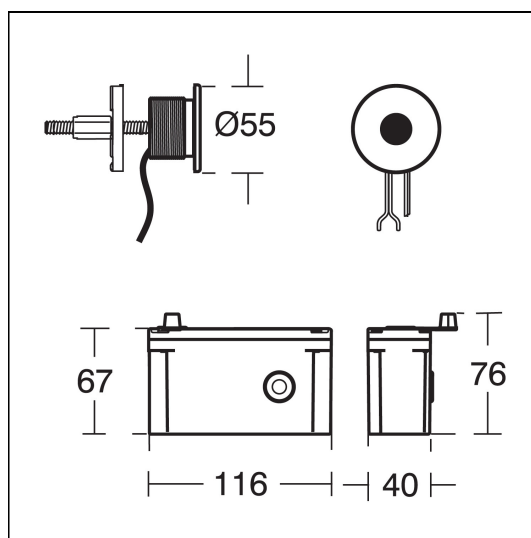
A4185 Chrome Plated Brass

Flow rates

A4185 4.7 Litres per minute @ 3 bar pressure

Special Notes

Designed to be supplied with pre-mixed water.
 Consideration should be given to safe hot water delivery and the use of an appropriate temperature reduction device see A5900AA or Part G for guidance.
 A4185AA mains sensor can have up to 5 multi-box sensors linked.



ACCREDITATIONS



FEATURES

