

# Sensorflow 21 Tubular 23cm Panel Mounted Spout & Separate Sensor, Link

## ILLUSTRATED

**A4184** Sensorflow 21 tubular panel mounted 230mm projection spout anti splash or aerated outlet remote panel sensor, copper tube inlets, link

## ILLUSTRATED PRODUCT DETAILS

### Weights

**A4184** 3.20 KG

### Finishes

**A4184**  Chrome (AA)

### Materials

**A4184** Chrome Plated Brass

### Flow rates

**A4184** 3.7 Litres per minute @ 3 bar pressure

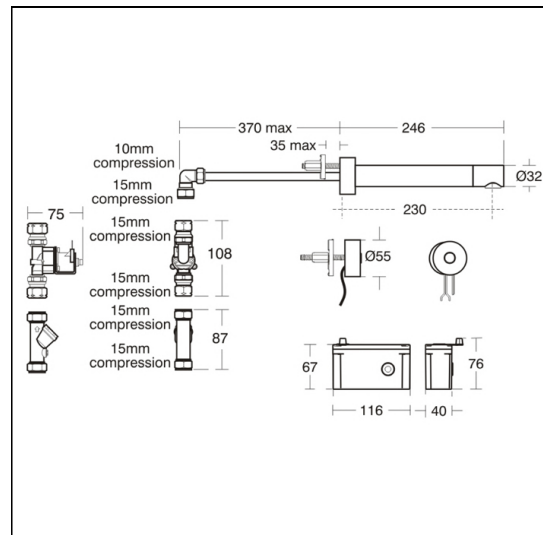
## FINISH OPTIONS



### Special Notes

Designed to be supplied with pre-mixed water consideration should be given to safe hot water delivery and the use of an appropriate temperature reduction device see A5900. The proximity sensor should be positioned to work in the normal handwashing position. All spouts supplied complete with individual solenoid valve, copper tube inlet and combined servicing valve and filter. Spouts with integral sensors detect hands within the sensing range and the solenoid valve is opened. Automatically shuts off if sensor is obstructed for a maximum of 55 seconds. Must link to a mains version A4183, alternatively a stand alone battery powered unit is available.

Flow rates regulated to 3.7 Litres per minute.



## FEATURES

