

Sensorflow 21 wall spout 230mm - separate sensor

ILLUSTRATED

A4183 Sensorflow 21 tubular panel mounted 230mm projection spout anti splash or aerated outlet remote panel sensor, copper tube inlets, mains

OPTIONS

A5900 TMV Thermostatic mixing valve 15mm

ILLUSTRATED PRODUCT DETAILS

Weights

A4183 3.31 KG

Finishes

A4183  Chrome (AA)

Materials

A4183 Chrome Plated Brass

Flow rates

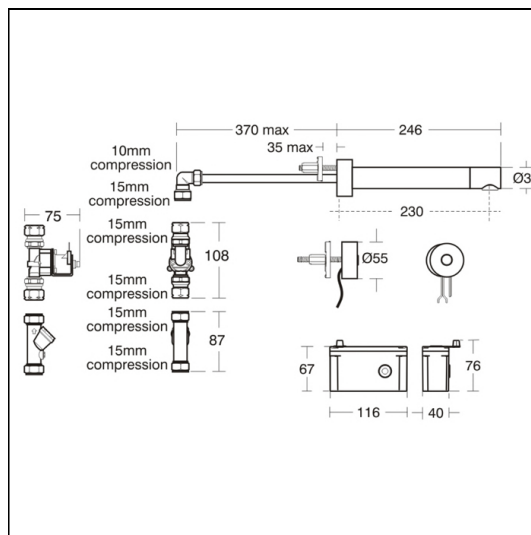
A4183 3.7 Litres per minute @ 3 bar pressure

FINISH OPTIONS



Special Notes

Designed to be supplied with pre-mixed water consideration should be given to safe hot water delivery and the use of an appropriate temperature reduction device see A5900. Flow rate regulated to 3.7 litres per minute.



FEATURES

