

Sensorflow 21 Tubular 15cm Panel Mounted Spout & Separate Sensor, Mains

ILLUSTRATED

A4180 Sensorflow 21 tubular panel mounted 150mm projection spout anti splash or aerated outlet remote panel sensor, copper tube inlets, mains

ILLUSTRATED PRODUCT DETAILS

Weights

A4180 2.45 KG

Finishes

A4180  Chrome (AA)

Materials

A4180 Chrome Plated Brass

Flow rates

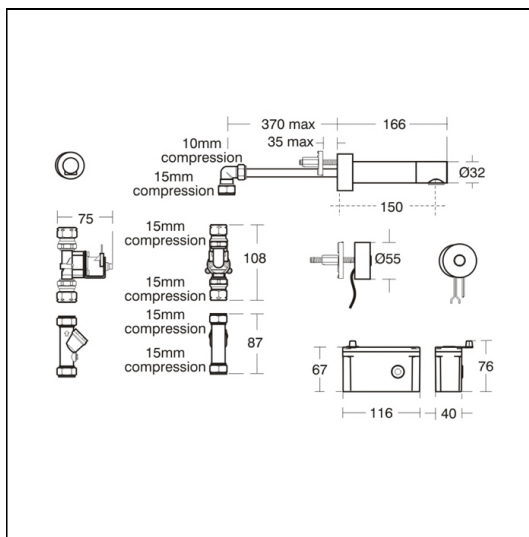
A4180 3.7 Litres per minute @ 3 bar pressure

FINISH OPTIONS



Special Notes

Designed to be supplied with pre-mixed water consideration should be given to safe hot water delivery and the use of an appropriate temperature reduction device see A5900. Flow rate regulated to 3.7 litres per minute.



ACCREDITATIONS

A4180(AA)



3.70 Litres Per Minute



121015

FEATURES

