

Sensorflow 21 Washbasin Variable Temperature Mixer Electronic Sensor, Link

ILLUSTRATED

A4177 Sensorflow 21 washbasin mounted mixer adjustable temperature integral sensor servicing valve copper tube inlet and filter, link

ILLUSTRATED PRODUCT DETAILS

Weights

A4177 3.90 KG

Finishes

A4177  Chrome (AA)

Materials

A4177 Chrome Plated Brass

Flow rates

A4177 3.7 Litres per minute @ 3 bar pressure

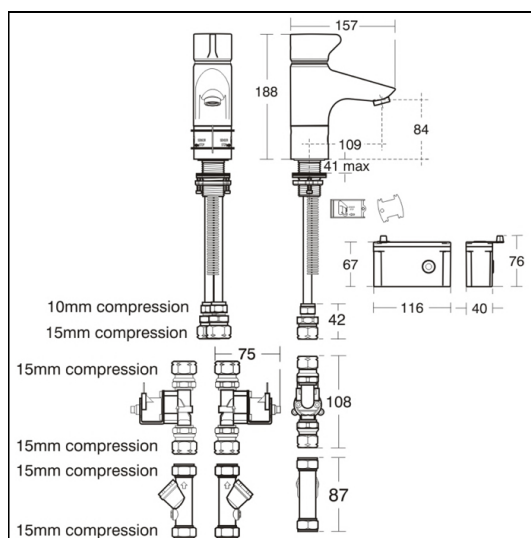
FINISH OPTIONS



Special Notes

All spouts supplied complete with individual solenoid valve, copper tube inlet and combined servicing valve and filter. Consideration should be given to safe hot water delivery and the use of an appropriate temperature reduction device see A5900. Spouts with integral sensors detect hands within the sensing range and the solenoid valve is opened. Automatically shuts off if sensor is obstructed for a maximum of 50 seconds. Must link to a mains version A4178 alternatively there are stand alone battery powered units.

Flow rates regulated to 3.7 Litres per minute.



FEATURES

