



BY CAVALIER BATHROOMS

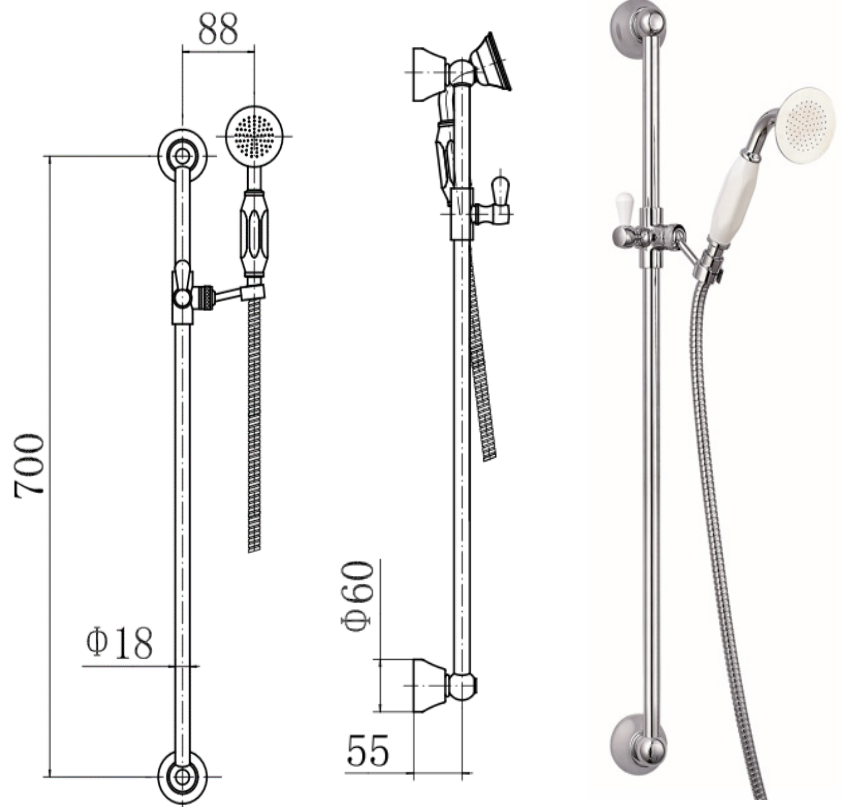
Arlington 9352 TRADITIONAL SLIDE RAIL KIT - CHROME

PRODUCT SPECIFICATION

Product Code:	9352
Finish:	Chrome
Description:	Traditional Slide Rail Kit
Inlet Connections:	1/2 BSP
Construction:	Riser: Brass Handset: Brass + Ceramic Shower Bracket: Brass Hose: SS (1.5m length)
Gross Weight (kg):	1.09

ADDITIONAL INFORMATION

- Chrome finish
- 2 year guarantee*



* For full details of our guarantee please refer to our website. Our accessories are backed by a 2 year guarantee, this is only valid to customers who complete and submit the online Niagara® Guarantee Registration Form within 30 days of installation.

To register and activate your guarantee visit: www.cavalierbathrooms.co.uk

Products are supplied with full installation instructions and fixings. All measurements in mm and are nominal.