



BY CAVALIER BATHROOMS

Arlington 9326 TRADITIONAL EXPOSED SHOWER VALVE - CHROME

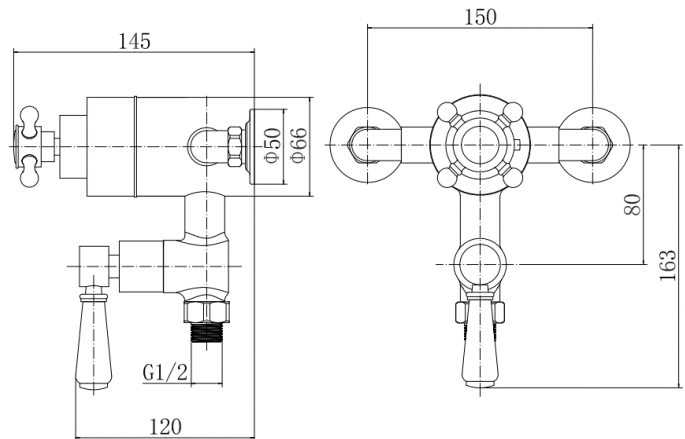
PRODUCT SPECIFICATION

Product Code: 9326
 Finish: Chrome
 Product Type: Traditional Exposed Shower Valve
 Cartridge Type: Thermostatic Cartridge and 3/4" Quarter Turn Cartridge
 Inlet Connections: G 3/4"
 Outlet Connections: G 1/2"
 Fitting Dimensions: 150mm inlet centers
 Construction: Body: Brass, handles: Brass/ceramic
 Gross Weight (kg): 2.508



ADDITIONAL INFORMATION

- Dual Control: Flow and temperature are controlled separately giving accurate control of both
- Thermostatic cartridge maintains showering temperature to +/- 2c giving a stable outlet temperature
- Automatic shut-off in the event of cold water supply failure, to prevent scalding
- Temperature factory set to a 38°C
- 10 year guarantee*



WORKING PRESSURES (bar)

Min Pressure	Max Pressure	Best Performance
0.5 bar	5 bar	3 bar

FLOW RATES (litres per minute)

0.5 Bar	1 Bar	3 Bar
8.8	11.8	20

* For full details of our guarantee please refer to our website. Our products are backed by a 10 year guarantee, this is only valid to customers who complete and submit the online Niagara® Guarantee Registration Form within 30 days of installation. Please note that products with finishes other than Chrome are guaranteed for 2 years only. To register and activate your guarantee visit: www.cavalierbathrooms.co.uk

Products are supplied with full installation instructions and fixings. All measurements in mm and are nominal.