

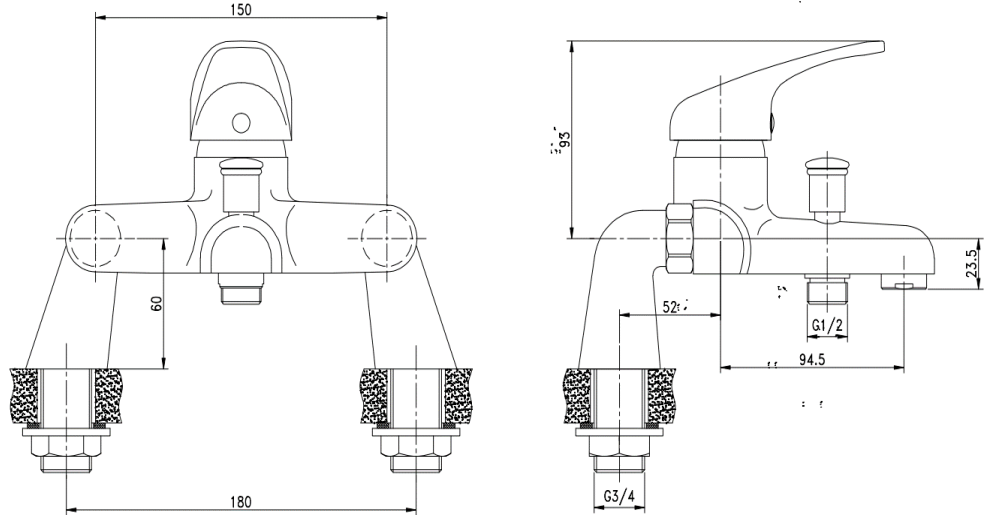
PRODUCT SPECIFICATION

Product Code:	9116
Finish:	Chrome
Description:	Bath Shower Mixer
Inlet Connections:	3/4 BSP
Construction:	Body: Brass Handle: Zinc
Cartridge:	40mm cartridge
Gross Weight (kg):	1.49



ADDITIONAL INFORMATION

- Chrome finish
- Back nut
- 10 year guarantee*



WORKING PRESSURES (bar)

Min Pressure	Max Pressure	Best Performance
0.2 bar	5 bar	3 bar

FLOW RATES (litres per minute)

0.5 Bar	1 Bar	3 Bar
5	5.2	9.4

* For full details of our guarantee please refer to our website. Our products are backed by a 10 year guarantee, this is only valid to customers who complete and submit the online Niagara® Guarantee Registration Form within 30 days of installation. Please note that products with finishes other than Chrome are guaranteed for 2 years only. To register and activate your guarantee visit: www.cavalierbathrooms.co.uk

Products are supplied with full installation instructions and fixings. All measurements in mm and are nominal.