



BY CAVALIER BATHROOMS

# Balham 9013 BATH SHOWER MIXER - CHROME

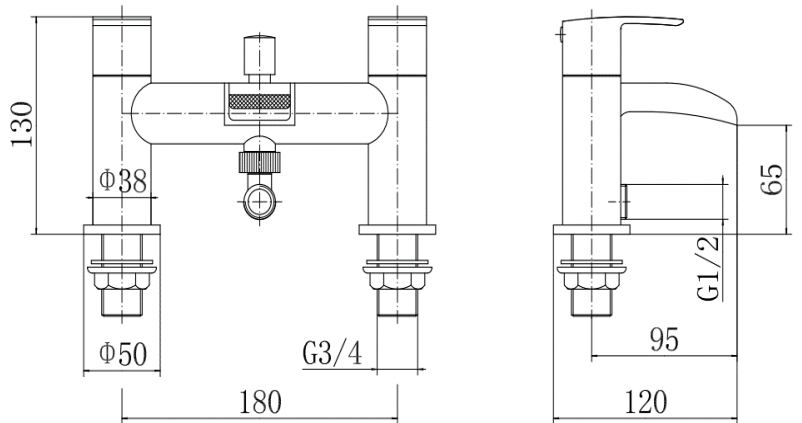
## PRODUCT SPECIFICATION

Product Code: 9013  
 Finish: Chrome  
 Description: Bath Shower Mixer  
 Inlet Connections: 3/4 BSP  
 Construction: Body: Brass  
 Handle: Zinc  
 Handset: ABS  
 Hose: SS  
 Cartridge: G3/4 quarter turn cartridge  
 Gross Weight (kg): 1.946



## ADDITIONAL INFORMATION

- Chrome finish
- Back nut
- Comes with shower kit and wall bracket
- 10 year guarantee\*



## WORKING PRESSURES (bar)

Min Pressure	Max Pressure	Best Performance
0.2 bar	5 bar	2 bar

## FLOW RATES (litres per minute)

0.5 Bar	1 Bar	3 Bar
19.1	26.2	44.6

\* For full details of our guarantee please refer to our website. Our products are backed by a 10 year guarantee, this is only valid to customers who complete and submit the online Niagara® Guarantee Registration Form within 30 days of installation. Please note that products with finishes other than Chrome are guaranteed for 2 years only. To register and activate your guarantee visit: [www.cavalierbathrooms.co.uk](http://www.cavalierbathrooms.co.uk)

Products are supplied with full installation instructions and fixings. All measurements in mm and are nominal.