

Metris Select M71

2-hole single lever kitchen mixer 200 with pull-out spray and sBox, 2 spray modes

Surfaces: **chrome** Art. no. : **73818000**



Description

product features

- Consists of: 2-hole single lever kitchen mixer, control unit, hose box
- ComfortZone 200 provides space for greater freedom of movement
- Swivel spout adjustable in 2 steps to 110° or 150°
- flexible position of mixer controls, 2 tap holes with Ø 35 mm required
- laminar spray and spray jet
- lockable shower spray, spray returns through pressing spray diverter and spray returns automatically through handle closing
- Select button for a comfortable start/stop of the water flow
- MagFit magnetic shower support
- Maximum flow rate (at 3 bar): 8 l/min
- Operating pressure: min. 1 bar/max. 10 bar
- ceramic cartridge
- 3/8" hose connections
- integrated non-return valve
- sBox for quiet, smooth and protected hose guidance in the cabinet, under the countertop, with extension length up to 76 cm

Article Details

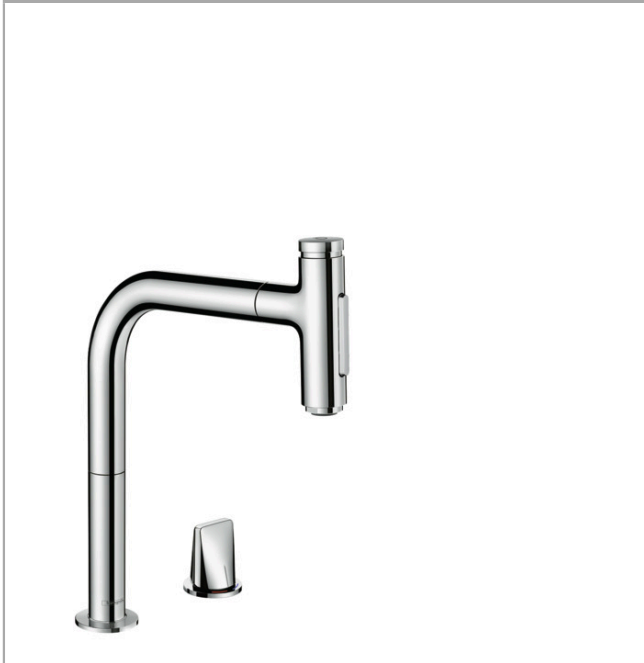
Price excl. VAT

£ 550.00

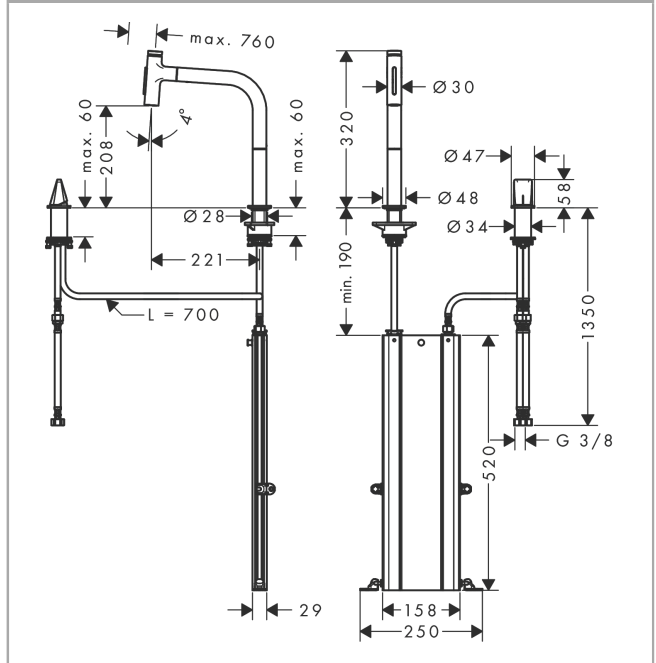
Technology



Product image



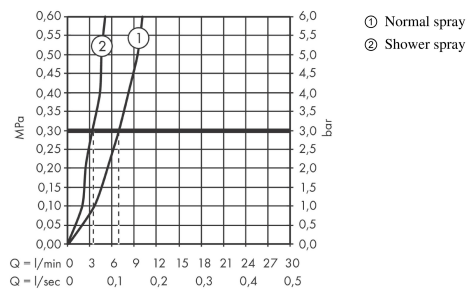
Scale drawing



Metris Select M71
2-hole single lever kitchen mixer 200 with pull-out spray and sBox, 2 spray modes
 Surfaces: **chrome** Art. no. : **73818000**



Flowchart



The consumption was measured in combination with the appropriate fittings (thermostat/mixer/in-wall valve) to reflect actual application in practice.