

Talis Select S
Basin mixer 100 with pop-up waste
 Surfaces: **chrome** Art. no. : **72042000**



Description

product features

- Consists of: Basin mixer, waste set
- ComfortZone 100 provides space for greater freedom of movement
- free-standing installation
- normal spray
- Flow rate (at 3 bar): 5 l/min
- Min. operating pressure: 1 bar
- Max. operating pressure: 10 bar
- Select Cartridge with temperature control
- pop-up waste set 1¼"
- Material waste set: metal
- QuickClean technology for easy limescale removal
- if running with a pump, please specify a universal (negative head) pump
- WRAS 1703010
- WRAS 1703010
- WRAS 1612014
- WRAS 1612014
- WRAS 1612014

Article Details

Price excl. VAT

£ 212.50

Technology



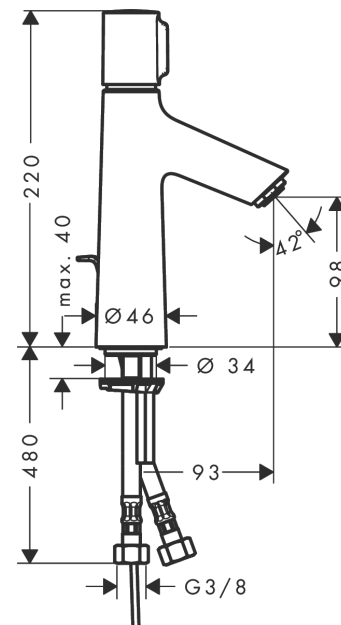
Certificates



Product image



Scale drawing



Talis Select S
Basin mixer 100 with pop-up waste
 Surfaces: **chrome** Art. no. : **72042000**



Flowchart

