

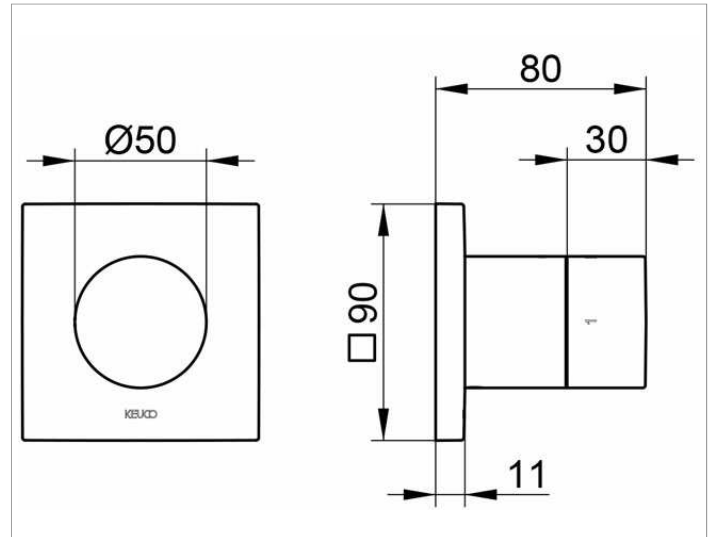
IXMO

59557XX0002 2-way stop and diverter valve DN 15

PRODUCT



DRAWING



PRODUCT ATTRIBUTES

Set complete with:
 handle, casing, rosette (square) and stop and diverter valve
 suitable for rough part no. 59556 000070

SURFACE

02, 04, 12