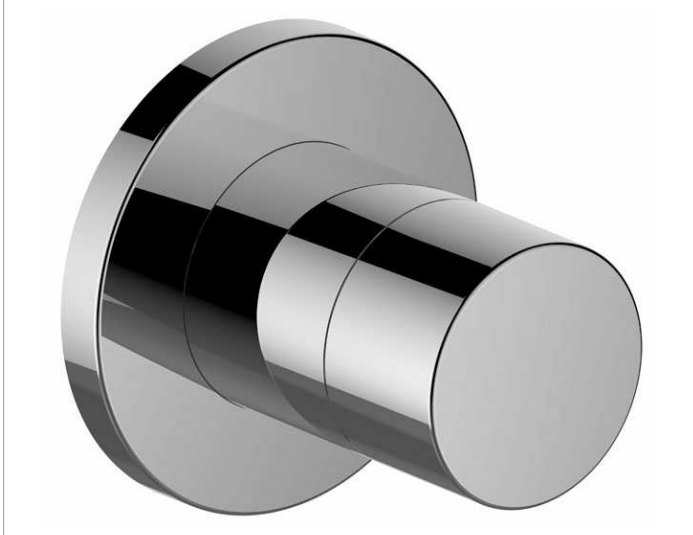
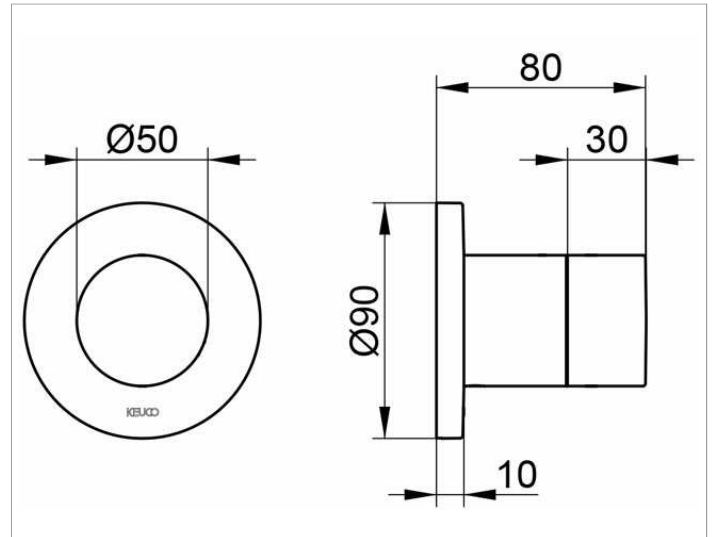


**IXMO**  
**59556XX0001 2-way diverter valve DN 15**

**PRODUCT**



**DRAWING**



**PRODUCT ATTRIBUTES**

Set complete with:  
 handle, casing, rosette (round) and diverter valve  
 suitable for rough part no. 59556 000070

**SURFACE**

02, 04, 12