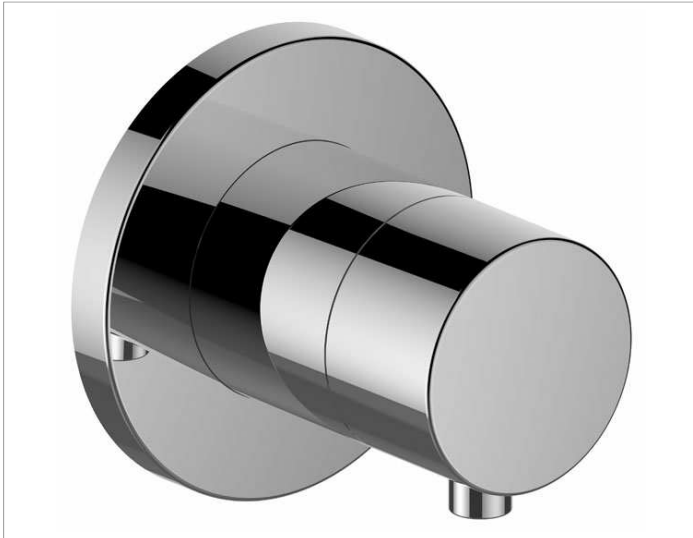
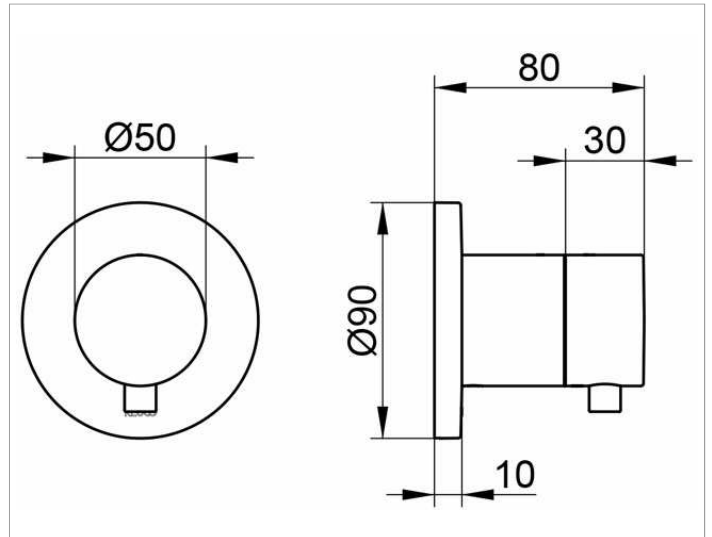


IXMO
59556011001 2-way diverter valve DN 15

PRODUCT



DRAWING



PRODUCT ATTRIBUTES

Set complete with:
 handle, casing, rosette (round) and diverter valve
 suitable for rough part no. 59556 000070

SURFACE

chrome-plated

SPECIFICATIONS

KEUCO IXMO 2-way diverter valve DN 15, 59556011001
 chrome-plated 2-way diverter valve,
 IXMO Comfort lever with round rosette,
 freely positionable,
 installation depth 80 - 110 mm,
 with adjustment facilities whilst assembling
 for handle and rosette,
 rosette diameter 90 mm, 10 mm thick,
 total depth 80 mm,
 set complete with:
 handle, sleeve, rosette (round) and diverter valve,
 suitable for rough part no. 59556000070