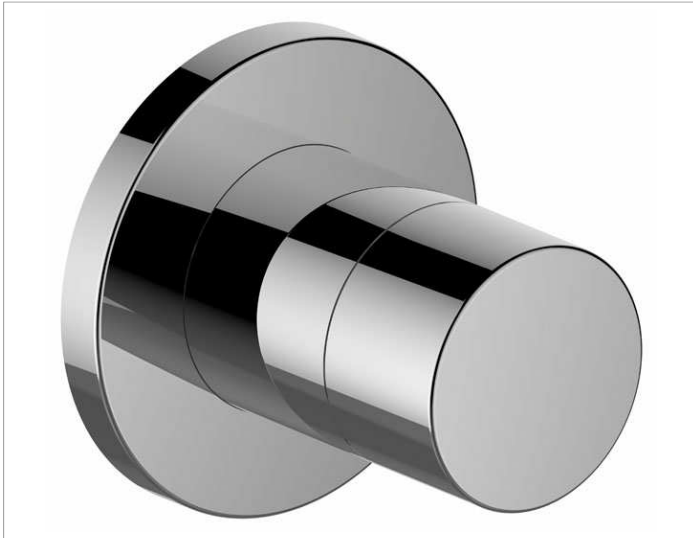


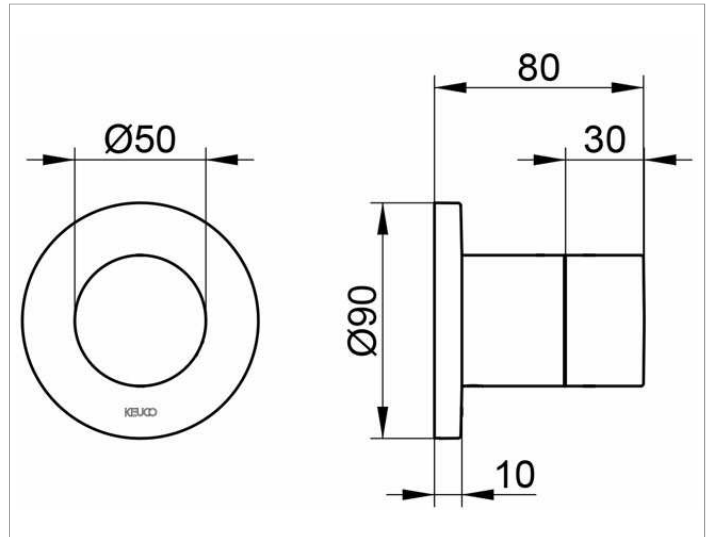
IXMO

59556010001 2-way diverter valve DN 15

PRODUCT



DRAWING



PRODUCT ATTRIBUTES

Set complete with:
handle, casing, rosette (round) and diverter valve
suitable for rough part no. 59556 000070

SURFACE

chrome-plated

SPECIFICATIONS

KEUCO IXMO 2-way diverter valve DN 15, 59556010001
chrome-plated 2-way diverter valve,
IXMO Pure lever with round rosette,
freely positionable,
installation depth 80 - 110 mm,
with adjustment facilities whilst assembling
for handle and rosette,
rosette diameter 90 mm, 10 mm thick,
total depth 80 mm,
set complete with:
handle, sleeve, rosette (round) and diverter valve,
suitable for rough part no. 59556000070