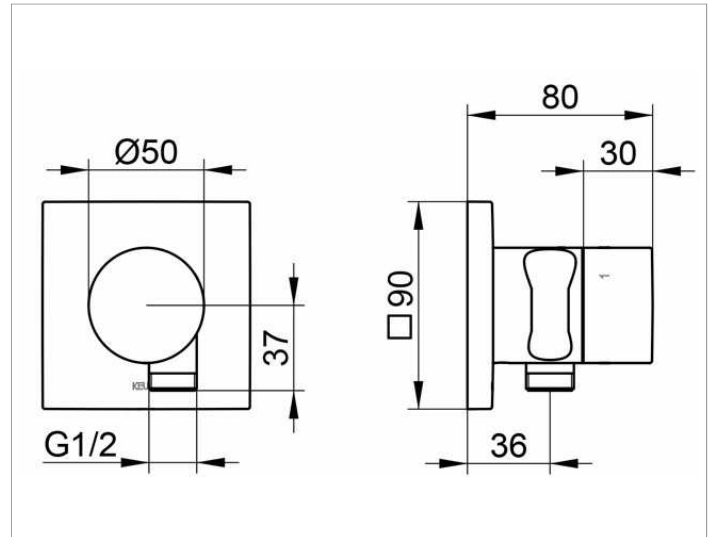


IXMO
59549XX0202 3-way stop and diverter valve with wall outlet for shower hose and hand shower bracket DN 15

PRODUCT



DRAWING



PRODUCT ATTRIBUTES

for shower hoses with fitted conical end brackets
 Set complete with:
 handle, casing, rosette (square) and stop and diverter valve
 intrinsically safe against backflow,
 suitable for rough part no. 59548 000170

SURFACE

02, 04, 12

DIMENSION

IXMO Pure/Rosette eckig